

CRADLEY

MATHON

STORRIDGE

NEWSLETTER



Price: £1






(or 12 copies for just £8 by subscription)

June 2023

Looking for a place
to board your cat?



Cat'll Do Nicely

-  Spacious, heated suites
-  24/7 CCTV
-  Collection & drop-off service
-  Individual needs catered for
-  Meets all Defra higher standards

To book, call
01432 683459
or **07359 275841**

Visit catlldonically.co.uk

Coney Craft, Fromes Hill, HR8 1HT



cleanian
Clearly the Cleanest

Carpet and Upholstery Cleaning Specialist

SPECIAL OFFER

£175 Three piece suite

IAN JONES HOME FARM COTTAGE
Home..... 01531 566012 EASTNOR
Mobile..... 07831 332226 LEDBURY
Email..... clearlythecleanestian@gmail.com HR9 1RD



Give your home a fresh Look.
Touch, See, Smell and Feel the difference.

F. W. SPILSBURY

GEORGIA A. SPILSBURY

Malvern's longest established
Independent Funeral Director
24-hour service
Private Chapel of Rest

12 Upper Howsell Road, Malvern, WR14 1TL

Tel. 01684 892777

www.fwspilsbury.co.uk
fwspilsbury@gmail.com

ANDREW JELLEY OPTICIANS
www.andrewjelleyopticians.co.uk

**YOUR LOCAL
OPTICIAN**

3A-36 High Street, Bromyard, Herefordshire

01885 488259

KEVIN ROBERTS



DOMESTIC PLUMBING
BATHROOMS
CENTRAL HEATING
TAPS AND WASHERS
OIL BOILER SERVICES
OFTEC REGISTERED
UNVENTED REGISTERED

TELEPHONE: 01886 832843 MOBILE: 07976 879719
24 HOUR SERVICE

Simon Thompson Locksmith

Local trustworthy service by
retired police officer.



Doors opened, new locks fitted
Upvc doors repaired, free security reviews
Fixed prices and all work guaranteed.

Please call **01886 880956** or **07957 109003**
www.safehouselocksmiths.co.uk



Opening Times

Monday	CLOSED
Tuesday	CLOSED
Wednesday	9am—4pm
Thursday	9am—4pm
Friday	9am—4pm
Saturday	9am—4pm
Sunday	CLOSED

Email: contact@crumptonhillfarmshop.com
www.Facebook.com/crumptonhillfarmshop

Crumpton Hill,
Storridge,
Herefordshire,
WR13 5HP

01886 880802



Cradley Mathon Storridge Newsletter

£8.00 for 12 issues (or £1.00 per copy)

JUNE 2023

2022 - 2023

As we looked back over the previous year at our annual church meetings in April and May, the times we had been through seemed particularly challenging. These are extracts from reports submitted by myself to those meetings, duly edited and adapted for use here...

'...Although government Covid restrictions were lifted at Easter 2022, the year that followed was another year overshadowed by the effects of the virus. Some elements of social distancing, the wearing of masks and the restriction of Holy Communion to Communion 'in one kind' continued to be practised in many places, our parishes included, until the end of the year - the shared cup at Cradley being restored only at Easter 2023. In common with parishes elsewhere, those churches from which it was possible to live-stream services, Cradley among them, tended to maintain attendance levels better than those where it was not, and in some cases to increase them. Cradley's figures immediately after the end of the period of restriction were higher than they had been previously, a number of people having moved into the parish during the lockdown periods and found and followed the services online. Online provision has continued to be made on a twice-weekly basis, but is now only live streamed from the actual church service approximately once a month...

...2022 proved to be a momentous year nationally, with the Platinum Jubilee of Her Majesty the Queen in June, celebrated on a large scale in the village and in September, the sad news of her death at Balmoral, at the age of 96. Both of these landmarks were marked in the church by services which included material specially provided for the occasion.

...An initial Cradley Church Away-Day was held at Hennor House near Leominster in September 2022, aimed especially at those who had come to the church in recent years, to provide an opportunity to meet with members of the P.C.C. to help those who were able to come to get to know one another and to discuss possible contributions which those new to the church might like to explore. A second Away-Day is in prospect at the time of writing, in May 2023.

...On the building development front, at Cradley we continue to pursue plans to provide appropriate toilet facilities in the church, but have been held up by the need to obtain further funding in the light of ever spiralling costs. Nevertheless, special mention should be made of the Herefordshire Historic Churches Trust's Best Kept Churches Award, won by Cradley in 2022, due to the contribution made by many volunteers to a maintenance supervision scheme overseen diligently by Sue Bailey and monitored regularly by the P.C.C.

...At Storridge the Rector noted the emergence of the new-style Storridge Festival in 2023, this year featuring events both literary, as in previous years, but also musical, as we celebrate the refurbishment and enhancement of the small but distinctive organ at Storridge. For the first time some of the events are being held in Storridge Village Hall, others in the churches, and so far the response to these has been encouraging. A plan to provide toilet facilities adjoining the church building is being pursued with the Diocese...At Cradley, also, we are celebrating work completed on the organ with a series of organ concerts, organised by John Parsons.

Thanks are due as ever to those who have worked tirelessly to maintain the life and worship of all three churches and parishes, especially through the lean times of Covid and its aftermath. At the time of writing we look forward to a revival of attendances in all three churches as a more normal summer ensues and now that summer, at long last, is actually upon us!

Your Rector,
ROBERT WARD

Church Services in June 2023

Please check our pew sheets and parish websites to confirm details nearer the time in case details change.

Sunday 4 Trinity Sunday	9.30 a.m.	Live-streamed Service (Lay led)	Benefice
	9.30 a.m.	Parish Communion (BCP)	Mathon
	10.45 a.m.	Family Service	Cradley
	6.00 p.m.	Evensong	StorrIDGE
Wednesday 7	10.00 a.m.	Holy Communion (said)	Cradley
	6.30 p.m.	Live-streamed Evening Prayer from the Rectory	Benefice
Sunday 11 St Barnabas	9.30 a.m.	Mattins	StorrIDGE
	10.45 a.m.	Live-streamed Family Communion	Cradley
	6.00 p.m.	Evensong	Mathon
Wednesday 14	10.00 a.m.	Holy Communion (said)	Cradley
	6.30 p.m.	Live-streamed Evening Prayer from the Rectory	Benefice
Sunday 18 Trinity 2	9.30 a.m.	Mattins - Lay led	Mathon
	9.30 a.m.	Holy Communion	StorrIDGE
	10.45 a.m.	Morning Service (Lay led)	Cradley
	11.00 a.m.	Live-streamed morning service	Benefice
Wednesday 21	10.00 a.m.	Holy Communion (said)	Cradley
	6.30 p.m.	Live-streamed Evening Prayer	Benefice
*Please note the change of services effective from 24 June.			
Sunday 25 St John the Baptist	9.30 a.m.	Shorter Mattins	Mathon
	9.30 a.m.	Mattins - Lay led	StorrIDGE
	10.45 a.m.	Parish Communion	Cradley
	6.00 p.m.	Live-streamed service of Evening Prayer	Benefice
Wednesday 28	10.00 a.m.	Holy Communion (said)	Cradley
	6.30 p.m.	Live-streamed Evening Prayer	Benefice

From the Registers

Weddings

22 April	Ashley Donald Jonathan Dunk & Katie Margaret Victoria Knight	Cradley
6 May	Edward Laurence Charles Scott-Dickins & Julia May Parker	StorrIDGE

Funerals

18 April	Doreen Avis Stoddard (known as Avis)	Cradley
20 April	Cherrill Jane Goodwin	StorrIDGE
4 May	Kenneth Joseph Broome	Hereford Crematorium and afterwards at Cradley
11 May	Janet Angela Atkinson	StorrIDGE

Interment of Ashes

3 May	Myra Jones	Cradley
13 May	Peter Comley	Cradley

Edition Editor: Ian Thompson, telephone 07712 527224
Rector: The Revd Robert Ward, telephone 01886 880438
Treasurer: Emily Hodkin, telephone 07811 905492
Advertising: Jan Dampney, telephone 01886 880316
 Jackie White, telephone 01886 833802
Cover photo this month taken by Jan Dampney



Our meeting on Tuesday, April 25th was well attended and the speaker was Peter Read from Regents College who was not only most interesting but also very informative.

The next meeting will be on Tuesday June 27th when we will be having a talk from Anthony Goodman, a Christian working in mental health. We are meeting at Philip Hilderley's, 1 Chapel Orchard, Cradley, starting at 7.30 p.m.

We look forward to seeing as many of you as can make it.

If anyone requires transport, we will try to arrange that for you. Just contact Alan Jameison on 01684 592600.

ALAN JAMEISON



MATHON CHURCH MATTERS

The Annual Parochial Church meeting was held on 17th April. Mrs. Karen Seymour was thanked for all her hard work as churchwarden during the last year and was re-elected for the ensuing year.

The Rogation service was held on 14th May which involved a group of people walking around several sites in the village. Thanks are expressed to Martin McAleese and Julian Maclagan for leading the singing and to members of the congregation for reading the interesting poems. Thanks go also to those who provided the drinks and nibbles which were served in the church at the end of the service in celebration of the recent coronation of King Charles III.

S. PUGH

MATHON CHURCH

READERS

4 June	Mr Walker	Mrs Pugh
11 June	Mrs Cutler	Mrs Crouch
18 June	Mr Vivian	Mr Crouch
25 June	Mrs Seymour	Mr Walker
2 July	Mrs Seymour	Mrs Pugh


SIDESMEN

4 June	Mrs Pugh
11 June	Mr Crouch
18 June	Mr Crouch
25 June	Mrs Seymour
2 July	Mrs Pugh

K.B.S.

CRADLEY CHAPEL

(Countess of Huntingdon's Connexion)



Services each Sunday at
10.30 a.m.

~~~~~

Communion Service  
on the first Sunday of each month

~~~~~

A very warm welcome awaits you.

STORRIDGE CHURCH FLOWERS

3 June	Mrs R. Thomas
10 June	Mrs R. Thomas
17 June	Mrs K. Norbury
24 June	Mrs K. Norbury



BIOBLITZ AT CRADLEY CHURCHYARD

Come and join us, whatever your experience, as we discover the wildlife of Cradley churchyard. We will have nets, pooters and guides aplenty to record as many plants, fungi, insects, mammals, birds and lichens as we can in the two hours. You will help the church manage the wildlife in the future.

Join us for whatever time you have, no need to book, all equipment provided.

Meet at Cradley church on Monday June 5th, 1.00 p.m. to 3.00 p.m. For up-to-date details please see www.cradley.org.uk

TONY COPP
Churchyard@CradleyChurch.org.uk

SAFETY LAST

Saturday June 10th 8.00 p.m.

This iconic silent film starring Harold Lloyd will be shown in Cradley church at 8.00 p.m. on Saturday June 10th. Jonathan Hope, Assistant Director of Music at Gloucester Cathedral, is well-known throughout the country for his incredible ability to improvise on the organ, and we are very lucky that he is coming to improvise to the film on our lovely John Nicholson organ! The film lasts just over an hour, and there will be a bar open from 7.30 p.m. and also after the concert.

Tickets £10 available from John Parsons
johnparsons1960@aol.com or the village shop.
Under 18s free.

JOHN PARSONS



WANT TO PLAY TENNIS?



www.clubspark.lta.org.uk/MCSTennis

Mathon, Cradley & Storridge Tennis Club

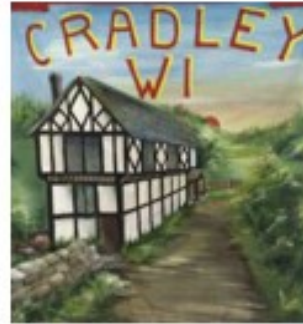
All ages and abilities welcome

Social, competitive, match & cardio options + an LTA accredited coach

Mathon, Harcourt Road, WR13 5PG



theWI
INSPIRING WOMEN
CRADLEY WI
Established 1938



Thursday, June 1st, 2023

7.30 p.m.

Cradley Village Hall

**Producing the Antiques Roadshow
with Mike Jackson**



Join us as Mike takes us on a trip down Memory Lane and his time as a producer on the Antiques Roadshow.

This is an open meeting
Everyone is welcome to attend
our open meetings, male or
female

Tickets are priced at £5.00 to
include refreshments

More Information from:

Joy Edwards, President, 01886 880649 or

Lesley Gregory, Secretary 01886 880525

cradleywi@gmail.com

Find us on Facebook at Cradley W.I.

STORRIDGE WI

The May meeting of StorrIDGE WI was a busy one. It was the AGM, we were discussing and voting on the National Resolution and we had a speaker.

The meeting began with discussing a suitable date for the forthcoming town walk to Tewkesbury. The AGM followed with all officers carrying on with their current roles. In the Annual Report we saw what a varied year we had had. Lots of interesting speakers, fundraising events, visits to other WI's, being part of the Platinum Jubilee celebrations. A fabulous trip on the canal at Stourport on the boat Bramble. We always have a craft evening in November, a party in December and a meal out in January. We collected for Ukraine and one of our members was a delegate at the 2022 Annual Meeting in Liverpool. We sent a team to the Worcestershire Federation quiz in Little Witley.

We had a fun year except one month which was memorable for all the wrong reasons. In September we had invited other WI's and anyone from the surrounding area who was interested in the history of Hop picking in Herefordshire. An hour before the meeting was due to begin, we heard the shocking news of the death of Queen Elizabeth. Then the speaker didn't turn up. We heard later she had been in a car accident, been hospitalised and was unable to communicate with anyone at the time. Luckily, she was not seriously hurt. We have booked her again for this September and will be inviting everyone again.

The resolution this year is about campaigning for clean rivers for people and wildlife. This was discussed and voted on, the results of which a delegate will take to the Annual Meeting in Cardiff.

The speaker was Angela Hugman who was originally coming to the March meeting which was cancelled because of the snow. Her talk entitled *Tales of the Unexpected* featured her many adventures abroad. For a number of years, she had worked as a physiotherapist in the Middle East, in a very different culture. She had travelled all over the world and she had many more tales.

If you would like to join us - perhaps you think WI is not for you - come along to a meeting and see for yourself. You can be assured of a warm welcome.

Our next meeting is on June 8th at StorrIDGE Village Hall at 7.30p.m. when the speaker is Philip Bowen whose subject is *The 1950's - I remember it well!*

JOAN PROSSER
Secretary

STUART DIPLOCK A SMALL TRIBUTE TO A BIG LOCAL CHARACTER



A huge number of cards and messages have been pouring in following the sad passing of Stuart recently. His family have been overwhelmed by letters of condolence and warm tributes to him. Stuart was a prominent face in local life at Cradley and for many years had an active and supporting role in the community through local events and groups.

He and Pauline have been part of Cradley life for many years having run Hidelow House Cottages near Acton Green for over 20 years and later "retiring" to the village to run Queenswood B&B.

Perhaps Stuart will be best known by many as running Leigh Explorer Scouts in Leigh Sinton which he set up in 2002. Arguably he was never happier than when he was running activities on a Thursday night or camping. He organised many camps abroad including trips to Slovenia, Germany, Switzerland, Turkey and Spain and Stuart always pushed for new and exciting challenges for them. He was immensely popular and supportive figure to the Scouts that knew him over the 20 years.

Others knew Stuart for his championing of local groups such as Cradley Business Breakfast Club, Cradley Walking Group, the Jubilee celebrations last year on the field at Queenswood, as a volunteer driver for Community Action, or perhaps as Father Christmas at the Christmas Fair, Teeny Tots and Cradley School. He was also a regular church goer and took part in many church events.

For those who met him for the first time, many would leave feeling they had known him for years. He had a warm smile and a genuine interest in people for whom he would give his time generously. At home he was a devoted husband and a supportive and loving father and grandfather who valued family above all else. Although he will be sorely missed by family, friends and the community, he led a fulfilled life and leaves us all with memories of his warmth, generosity and kindness to those around him.



Bioblitz at Cradley Churchyard

Come and join us whatever your experience as we discover the wildlife of Cradley Churchyard. We will have nets, pooters and guides aplenty to record as many plants, fungi, insects, mammals, birds and lichens as we can in the two hours. You will help the church manage the site for wildlife in the future. Join us for whatever time you have, no need to book and all equipment provided.

Meet at Cradley Church, WR13 5LH

5th June 1 to 3pm

tim@clan-cic.org



CLaN CIC registered company 10153234



Mathon Get Together

Who is it for? Anyone living in Mathon and the surrounding area

When is it? Every Friday 10:30 until 12 noon

Where is it held? Mathon Parish Hall

This is open to everyone who fancies dropping in and enjoying a cup of tea or coffee with some biscuits and meeting friends old and new. It has been the venue for many a reunion.

FREE

Just turn up and enjoy

FRIENDS OF CRADLEY SCHOOL (FOCS)

Thank you to everyone who supported us at the village coronation event on Monday. The home-made cakes and sweetie cones went down a treat, so thank you to makers and bakers, those who helped on the stall, in the background, and many others who braved the wet weather and came along. Well done to our lovely headteacher, Mrs Jones, who guessed the number of sweeties in the jar. It was great to be involved with our village. The children thoroughly enjoyed themselves – singing, dancing, playing games with the scout groups, keepie uppies with the tennis club, ringing bells, eating cakes and ice creams...

Although it seems a while ago, we'd like to thank all those who supported us at Easter. We held an Easter colouring competition and guess the eggs in a jar for each class. In order to raise money for our school we rely very much on donations from friends, families and local organisations, and would like to give a big thank you to Aman at Cradley Village Store for his very kind donation of Easter goodies, as well as Tesco Ledbury and St Peters for their generous contributions too, and Mrs Jones for the colouring competition prizes – thank you all!

FOCS and Teeny Tots would like to say how sorry we were to hear the sad news about Stuart Diplock. He was a lovely man and a wonderful supporter of FOCS and our school. He had especially close connections with Father Christmas and helped make sure the children of Cradley school and Teeny Tots received a Christmas visit! We send our love to his family and our thoughts are especially with Pauline, Harriet and Tim.

Best wishes from all at FoCS and Teeny Tots

WELL BEING Relaxation Class 伸

Tai Chi & Qigong
Zen Practice
Gentle Stretching
Breathing Exercises

松开

WEDNESDAY
12-1PM

£8 per session
£6 O.A.P/Student
(Discount Block Booking Available)
@

Cradley Village Hall
Rectory Lane
Malvern
WR13 5LH

身心神

NO Booking Required
For Further Details
Call Kev 07725161178

CRADLEY SURGERY

Dispensary Hours
from 25 May 2023
01886 880207

Dispensary open:

Monday to Wednesday and Friday:
9.00 a.m. to 1.00 p.m. and 3.30 p.m. to 6 p.m.

Thursday:

3.30 p.m. to 6.00 p.m.

Dispensary phone lines open:

Monday to Friday:

9.30 a.m. to 1.00 p.m. and 3.30 p.m. to 5.30 p.m.

Please note the Dispensary opening hours and Dispensary phone line opening hours are different from those of the surgery.

(see separate notice for Surgery)

Cradley Organ Concerts

Jonathan Hope

Assistant Director of Music, Gloucester Cathedral

An Improvisation on the organ to accompany a centenary screening of the iconic silent film starring Harold Lloyd

Safety Last

**Cradley Church
Saturday 10th June, 8pm**

**Tickets £10 Under 18s free
Available from the village shop
and
John Parsons johnparsons@aol.com**

Proceeds to Cradley Church and Herefordshire Historic Churches Trust

EXCERPTS FROM PARISH MAGAZINE

Cradley Parish Magazine June 1899 part 1

Mothers' Meetings

The Mothers' Meetings for the present season ended in April, after being held weekly from November. The attendance has been very good, and several new Members have been added to those who have come in previous years. It is hoped that more Mothers will join when the Meetings begin again, especially of those who have young Children, for whose benefit the Meetings are particularly intended. On May 2nd a Tea was given at the Rectory Room for the Members who had attended regularly, and it was a pleasant ending to the Meetings, which have, we hope, been very helpful to those who attended them.

Her Gracious Majesty the Queen

The Eightieth Birthday of Her Gracious Majesty the Queen was marked by our Bells ringing a merry Peal in honour of the occasion, and by the use of the National Anthem in our Church upon the Sunday following.

(Queen Victoria's birthday is 24th May.)

CONTRIBUTED BY JOAN PROSSER
Member of Heritage

COMMUNITY CORONATION CELEBRATION

In true British tradition, the Coronation bank holiday weekend was one of very mixed weather. In a spirit of optimism, market stalls had been erected on the church lawns a couple of days before the celebrations planned for the Monday, but the continuing gloomy forecast resulted in a last-minute decision to move as much as possible indoors.

The stallholders showed great flexibility in changing their displays at the last minute to accommodate the smaller spaces they were allocated indoors and the two bands found space in front of the rood screen in the Church and the gallery in the Village Hall respectively. Visitors to the Village Hall could view displays by the Art group and the new Chat and Craft group, and a Monarchy-themed exhibition by the Heritage group. The Village Hall's patio marquee became a hive of activity for FoCS and Teeny Tots, while the Scouts and Cubs showed their resilience by pitching their tent outside for fun and games and manning the barbecue in the only remaining outdoor stall. In addition to cream teas and stalls manned by various village organisations, visitors to the Church were entertained by the Handbell Ringers.

The only question on everyone's lips as they set up on that damp and overcast morning was - if the weather stays like this will anyone come? We should never have doubted the Cradley spirit, and families started arriving early in the afternoon to enjoy themselves. The clouds remained stubbornly sullen all day, but the rain held off until late afternoon, allowing the children of Cradley school to treat the early afternoon audience to a selection of songs from around the British Isles before showing their versatility in a display of maypole dancing. A generous donation meant that the bar was able to offer draught ale at 'community' prices, lending an air of conviviality to the proceedings.

Thanks go to everyone who had a stall on the day, the bands and Cradley school for entertaining us so ably. Special thanks go to the team who turned out to put up the market stalls in expectation of good weather and who came back uncomplainingly to take them down again, unused. And of course, the organisers would like to thank the community for turning up and supporting us on a damp bank holiday Monday.

JAN DAMPNEY

On behalf of the organising committee



**Cradley and Storrige
Parish Council**
Connecting
our
community

**Funding now available
to assist individuals
and groups
within the Parish**

The Parish Council have recently launched a 'Small Donations Scheme' allowing **YOU** to apply for amounts up to **£250** for matters **YOU** feel will be for the enhancement or benefit, of the area or its residents.

You can apply as an individual or as a member of a not-for-profit organisation

There are no specific areas that are excluded, but generally applications can be:

- Individuals or groups, enhancing a publicly seen area
- Groups wishing to add 'something extra'
- Mainly or fully housebound parishioners

For further details along with guidance:
Contact the Parish Clerk: ✉ clerk@cradleyparishcouncil.gov.uk

Visit the website and download the application form, or fill in the online form
www.cradleyparishcouncil.gov.uk



**NEWSLETTER
COPY DEADLINE DATES**
Advertisements/notices: 12th of the month
(Except December: 9th of the month)
Articles: 16th of the month
(Except December: 12th of the month)



MIDSUMMER SUPPER
SATURDAY, 17 JUNE
7.00 FOR 7.30 p.m.
STORRIDGE VILLAGE HALL

A choice of salmon, ham and vegetarian options *
With baby potatoes and homemade salads
A choice of desserts
Cheese and Biscuits
Tea/Coffee



BAR, RAFFLE and LUCKY TICKET DRAW



Quiz to test your *General Knowledge*



ALL FOR £12 PER HEAD— BY TICKET ONLY
Available from **JACKY (01886 832566)** or
JACKIE (01886 883802)



* Please inform Jacky and Jackie of menu choice and any dietary requirements at the time of booking

DON'T DELAY, BUY YOUR TICKETS TODAY!

All profits will be split between
Storrige Church and Storrige Village Hall



POTHOLE OF THE MONTH



Here's a picture of the pothole outside Schroedinger's phone box (people refer to the box, but it was removed years ago) on the B4220 Bosbury Road, which caused so much trouble in April. I knew of at least three people who lost a tyre to this monstrosity before it was filled in. And just to repeat what Ellie Chowns said in her article last month – to report potholes, phone 01432 261800 or visit www.herefordshire.gov.uk/report-problem.

Who aspires to a personalised number plate? I am sure several readers have them, and I hope it gives them pleasure. Some might see it as a good investment. Certainly, the person who bought plate F1 in 2008 for £440,000 and recently offered it for sale at £10 million. It did not sell, but that would have indeed been a good return.

The most expensive numberplate sold here in the UK is 25 O, which I guess was bought for a Ferrari 250 GTO. The £500,000 paid for the plate seems a good deal, compared to what such a Ferrari is worth – not long ago a 1962 model was sold at auction for £52 million.

It won't surprise you that the most expensive number plates are sold in the United Arab Emirates and in Hong Kong, where plates such as the numbers 9, 8

and 7 were bought for more than £7 million.

Many famous people like their plates, too. Here is a list of some number plates and their celebrity owners.

A 1	was apparently snatched up by Earl Russell when it was released in 1903.
A 7	The Queen
MAG 1C	Paul Daniels
EH 1	Engelbert Humperdinck
COM 1 C	Jimmy Tarbuck
S 8 RRY	Robbie Williams
AMS 1	Ian Sugar
1 ANN	Princess Anne

By the way, when I looked, the plate that comes closest to my name, TOM 77, is on offer for more than £20,000. I think I give it a miss. I'd rather have one of these:

- FAB 1 from the Thunderbirds.
- OFP 857 from the Herbie films.
- GEN 11 from Chitty Chitty Bang Bang.
- ECTO 1 from Ghostbusters.
- JB 007 from the James Bond film Goldfinger.
- DEV 1 L from 101 Dalmatians.

TOM VAN VUREN



Your new look Parish Council, following the May 4th elections. Sadly, the parish did not manage to find enough residents to stand to force an election. The Parish Council has lost a few and gained a few. Following the Annual Parish Council meeting the new make up for the Council is:



Cllr Terry Robshaw
Chair



Cllr Derek Scully
Vice Chair



Cllr Ann Carver



Cllr Ian Edgar



Cllr Geoffrey Fielding



Cllr Janita Goodwin



Cllr Wynne Harries



Cllr Colin Merker

Full details for the new roles can be found on the Parish Council Website

The Parish Council still has 7 places to fill by way of co-option. If it could be for you and you would like to make a difference to where you live, the Parish Council would like to hear from you.

Criteria to become a Councillor.

- Must be over 18 and on the electoral register or be a resident of the Parish or live within 3 miles of the parish boundary as the crow flies.
- Be able to attend monthly meetings.

Congratulations to Ellie Chowns who again has been elected as the Ward Councillor on the Herefordshire Council, the Parish Council looks forward to working with her for the beneficial improvement of Cradley & Storrige.

The Parish Council would like to hear from any resident who would be interested in taking up the volunteer position of **Tree Warden** within the Parish. Cradley & Storrige have many trees which are protected by Tree Protection Orders (TPO) which helps keep the Parish looking green. Apart from this most of the Parish is in a conservation area. You

would be part of the Herefordshire Tree Warden's Association who will assist you in fulfilling this role.

The Parish Council has several working groups which have lay members - the Highways Working Group, the Recreation Grounds Working Group, and the new Environmental Working Group all have spaces for one or two lay members of the public. If you would like to know more about becoming a lay member on one of the working groups or want to know more about the working groups, I would like to hear from you.

Why not enrol on to the Cradley & Storrige Parish Council website www.cradleyparishcouncil.gov.uk you will then get emailed all the latest Parish Council news and other useful documents.

RICHARD JAMES
(Clerk)

clerk@cradleyparishcouncil.gov.uk

****New Telephone Number** 01886 886052**

Text 07966 172028

THE 3 VILLAGES VISITING GROUP
ARE YOU, OR DO YOU KNOW SOMEONE WHO FEELS LONELY?



The Visiting Group is made up of a small number of volunteers who offer visits to anyone who may appreciate some company, whether it be for a catch up and a chat or maybe to share reading a book or just sit, whilst a partner goes out

Or perhaps you would enjoy the opportunity to share time together, by playing scrabble, chess, cards, including a hand of cribbage or doing crossword puzzles or any other games

If you, or anyone you know, might appreciate a visit, please let us know



Contact:

Sue Ronan on 01886 884646

Email: sue@ronan.me.uk

Jill Nicklin on 01886 880920

Cradley Mathon & Storridge
TEENY TOTS
play group

welcomes parents or carers and little ones (age 0-5) to stay and play.



Thursdays, during term time

10.30 a.m. to 12.00 noon

Storridge Village Hall

(occasionally elsewhere)

£2 per family, includes a snack

Come and join in!

For information please contact:

Rachel: 07790890183

Annie: 01886 880964

CRADLEY WILD

Inspired by the *Wild Isles* programme and the love of nature, a few of us met to form 'Cradley Wild' with an aim to encourage birds, hedgehogs and insects including bees to visit our gardens.

If all nature lovers in the Cradley Mathon and Storridge area work together we could increase the wildlife happy to live in our area and help to reverse the decline seen over the last 50 to 70 years.

Some flowers, good for insects, are already firm favourites e.g. lavender, allium, catmint (nepeta), sedum and verbena bonariensis to name a few. They provide nectar to bees and insects, which in return fertilize our fruit trees.



Native plants include foxglove, betony, greater knapweed and honeysuckle and are among the many which boost insect and bee population and help feed birds and other animals.

Leaving some grass long is also beneficial to wildlife and allows other wild flowers to develop fully.

Joining our efforts to create highways for insects, birds and animals would be of great benefit to wildlife.

The following birds were seen in one of the Cradley gardens in the last couple of weeks - blackbird, bluetit, buzzard, carrion crow, long-tailed tit, great tit, jackdaw, greater spotted



woodpecker, kestrel, robin, wood pigeon, wren, dunnock, magpie, mallard duck, pied wagtail, goldcrest, merlin, tree creeper and heron.

The RSPB and Wildlife Trusts have useful information available on their websites.

If you are interested in learning more, please join us in pooling ideas and knowledge to make our parish a nature friendly haven.

Contact CradleyWild@cradley.org.uk

LINDA BELMONT

PLANNING AN EVENT?

To avoid clashes of dates and venues, please remember to check the diary at the back of this *Newsletter*

CRADLEY WI

The meeting of Cradley WI in May was held a day earlier than usual due to the Village Hall being used as a polling station for the local elections the following day. It was a well attended – and very busy – meeting.

We managed to incorporate our annual Resolution meeting and a celebratory Coronation supper as well as our usual business.

At the Resolution meeting we discuss the resolution that the national WI has identified as our potential annual campaign. This year's resolution was put forward by our local federation, Herefordshire, and we were delighted to welcome, as our speaker, Sandra, co-author of the resolution.

The Resolution this year is 'Clean Rivers for People and Wildlife' and the proposer wants the WI to work with local and national authorities as well as the public to make parts of any river into officially designated bathing waters as a way of improving water quality as there is no legal requirement to test river waters in the UK unless they have bathing waters status.

Sandra explained to us that currently, only TWO stretches of river waters in England are designated bathing areas and, therefore, subject to monitoring. She also told us of some areas where 'citizen scientists' have been taught to monitor water quality in their local rivers, streams and brooks and pass on the information to the relevant authorities.

Our vote will be sent via our Delegate who will vote on our behalf after debate at the National Conference in Cardiff at the end of May, when a final vote will be taken.

Our celebratory Coronation supper was presented amongst bunting and flags and comprised a wonderful variety of savoury and sweet dishes provided by the members. A glass of fizz or a soft drink was also available, along with tea and coffee. It was all accompanied by friendly chat – and there was enough left over for us to leave some cake for the election officials on the following day!

Bank Holiday Monday dawned in much the same way as so many preceding Bank Holiday Mondays - cold and wet with more likelihood of further rain to come. The organisers of the Cradley Coronation Community Celebration made the welcome (to stallholders) decision to move as much of the event as possible inside and Cradley WI found itself in the church for the afternoon.

Relocation didn't appear in any way to diminish our sales as our cakes, plants and preserves fairly flew off the stall raising a wonderful £105 for St Michael's Hospice. As ever, the WI would like to express its thanks to the village for its support.

Our monthly lunch club was well attended and it was set fair, despite recent showers, thunder and lightning. We enjoyed our lunch and the convivial atmosphere as always, although our choice of venue had some issues with some food and the service was rather slow.

Next week our bi-monthly book club is due to review *Elizabeth Finch* by Julian Barnes and the Coffee Club members are off again later in the month, this time to Laylocks Garden Centre.

Our next monthly meeting is an OPEN meeting - open to everyone (boys and girls!) and our speaker will tell us all about the production of the evergreen *Antiques Roadshow* - see our poster for details. You are most welcome to join us. Contact Joy or Lesley (see details below) or find us on Facebook at Cradley W.I.

PAM MOSS (PRESS OFFICER)

Contact Details:

Joy Edwards, President, 01886 880649
Lesley Gregory, Secretary 01886 880525
cradleywi@gmail.com

Mathon Parish Hall Management Committee

Hire Rates Mathon Parish Hall

** Minimum booking two hours

	Per Hour**	Per Day
Mathon Residents/ Organisations	£10	£75
Outside Organisations/ Residents	£15	£120

Rates effect from 1 July 2022

Commercial bookings by negotiation

The fully centrally heated hall with disabled access consists of a large well equipped kitchen, a spacious hall with a seating capacity for ninety, toilets including disabled toilet, and a large easily accessed car park for approximately thirty cars.

Linen service (additional charge).

Tables and chairs available to hire out.

To check availability and make a provisional booking, please contact the Booking Secretary on 01886 880824

or email mar.ainsco@btinternet.com

LAW ENFORCEMENT: COTSWOLD VICE PATROL

Introduced by Hank Brooklynski of Stoa News.

Here, in the mean streets of downtown St. Mungo Moss, are to be found some of the worst crime figures in the Western Hemisphere. Today, I and my team have been granted the opportunity to take part in a raid on a drug den in this foul slum – home of the desperate, the destitute and the criminal. With me is the head of a crack squad of British cops, who are at present making preparations to confront the dangerous felons in their lair. Tell me, Inspector Slick, are you confident of a successful outcome to this foray into the heart of corruption?

"I have every hope of achieving my aims, Mr. Brooklynski. This is not the first time we have raided one of these... um... dens, as you call them; and we know what we are about."

Well, Inspector, rarely have I set eyes on such a disreputable district. The buildings here are little more than hovels. I'd be anxious about stepping inside one for fear it would come crashing down about my ears. It looks to me as if they are constructed from whatever odds and sods came to hand: baulks of wood, rough bits of stone and brick, and is that stuff mud? Do you Brits have a name for this sort of jerry-building?

"Yes, Mr. Brooklynski, they are known as semi-timbered cottages. They are very common hereabouts."

Well, they look very unsavoury to me. Why, some of them seem to be collapsing back into the primeval slime. Nasty spiny growths are clambering up the walls, with lurid red and pink excrescences breaking out all over. And what on earth are those gruesome green growths erupting from the ground like huge poisonous fungi?

"Those are what we term topiary. They are typically found in noisome rookeries such as this; and, yes, some of them are, in fact, toxic."

How appalling. And is that strange old lady lingering around your men one of the more execrable of the inhabitants of this place?

"That, sir, is Miss Marble. She is, indeed, execrable, and a right pain in the... an annoyance to our upholders of the law, but she does not live in this part of the village. In fact, she terms herself a private investigator."

Good Lord! Is that what your gumshoes look like in this benighted country?

"What a face! And that ludicrous hat! I reckon she's got a head full of vipers hidden under there."

Watch your tongue when the sound's on, Kermit. The public don't appreciate that sort of comment – even if it's true. We'll strike it out during edit. Now, you got the camera rolling? I see they're ready to start. Denzil, sound OK? Then we're off. See you again, folks, after the commercial break.

*

This is Hank Brooklynski with the British police, who are at this moment about to raid a drug den, set right in the heart of what must be one of the vilest shantytowns I've ever set eyes on. We are currently entering the front yard of a semi-derelict building – looks to me as if it's been around since before the Ark. The yard is littered with some kind of beige shingle. I assume that

is to give warning to the occupants of an intruder's approach. We are now pausing in front of the building while Inspector Slick is organizing his men for the attack. This grants me the opportunity to describe the outlandish pagan altar set in the corner of the yard. Sinister humanoid figures, perhaps ten inches high and painted in lurid colours, are set around a pillar with some metallic device on top. The metal is inscribed with weird symbols of the type associated with the obscene practice of Satanism. One of the figures, set beside a deep pool, is holding a long wand. I can imagine human sacrifices taking...

Ah, Sergeant Leak is about to apply the battering ram to the iron studded door. That looks positively medieval, Inspector.

"I believe it was, sir; now it's merely very old kindling."

We're in! I'm stepping over Sergeant Leak who's fallen flat on his face. Various police officers are pursuing young ladies dressed in peculiar costume. That elderly dame – Miss Marble is it? – is, as I speak, disappearing through a door at the back. Surely, she shouldn't be in on the operation: why don't the police restrain that woman? Back home, this would be when the shooting starts, but here there is no resistance. We enter a garishly decorated room. Floral designs on the walls; peculiar knick-knacks arranged on shelves, irritating music playing in the background. Reminds me of a Sacramento brothel. Various persons are staring up at us vacantly from where they are seated around a number of tables. They make no attempt to escape. These people seem to be in a narcotic induced stupor. Inspector, are those substances arranged on the tables the vile drugs of which they are partaking?

"Indeed, they are, Sir. While my men are rounding up the clientele allow me to show them to you. This is the worst of the lot."

The inspector is holding up a peculiar round, multi-stratammed slab. The base is pale brown and looks extremely hard. On top of that is a seam of red gelatinous stuff, which looks absolutely hideous. Capping all is a thick layer formed of an off-white sludge. How is this monstrous combination absorbed, Inspector?

"It may seem unbelievable but it is taken by mouth and masticated."

Rather like chewing tobacco? "But infinitely more harmful." And what is this brown liquid in these ceramic containers? "A potent liquor brewed on the premises. It is used to aid the consumption of the drug. I imagine it kills the taste." It would take more than that to get me to eat the ghastly stuff. May I take a sip of the liquor?" "Not if you wish to avoid prosecution, Mr Brooklynski"

Ah, I see the young women are all in custody. Their outfits are extremely provocative – all those lacy accessories. Inspector, I take it that illicit intimate congress is encouraged here?

"Look at the people around you: the dazed expressions; the total absence of will; the premature ageing effects. They are no longer capable of even contemplating such practices. It's the reason why we

must stamp out this evil trade and take these tragic victims into custody. If we were to allow them to return to their homes, they would only park themselves in front of the telly and watch endless repeats of 'Last of the Summer Wine'."

"Is that bad? "Don't try it, sir: it's not worth the risk."

I think your sergeant has tried something. It's left him with a dollop of that white stuff on the end of his nose. In fact, I'd say he's utterly spaced-out.

"Sergeant Leak, this will be the finish of you! In all likelihood you'll end up being transferred to the Met."

On that stupendous revelation we'll take another commercial break! Don't go away.

*

It's all happening here, folks. The drug den has been busted; a police sergeant has been marched away in handcuffs for indulging himself with confiscated narcotics: what next? I see that large plastic tubs and jars of those foul concoctions are already being carried away by the constables: destined, no doubt, for imminent incineration. But, who's that coming out the back? No police officer, that's for sure! Kermit, get a shot of that dame, Miss Marble. She's up to something, carting that pile of tubs out of a side gate while nobody's looking. Here, miss! Miss!! Let me see what you've got there! Stop that woman! Get her somebody! Why doesn't anybody do something? Inspector! Inspector!!!

Royal British Legion Cradley Storridge & Mathon Outside Bar



Do you need an outside bar for your function?
If so, call us on 01886 880552 (evenings only)

Weddings, birthday parties, anniversaries, etc.

NEWSLETTER EMAIL ADDRESSES

Send articles and enquiries to

Editors@cmsnewsletter.org.uk

Send advertisements and notices to

Adverts@cmsnewsletter.org.uk

DON'T FORGET!

Hard copies of advertisements and articles should be placed in the post box attached to the left hand side of The Hamlets Village Store, Bosbury Road, Cradley

CRADLEY VILLAGE HALL

BOOKINGS

Hire our picturesque 15th-century venue
for your event

Cradley, Mathon and Storridge
Residents/Organizations £7 per hour

For those outside
the three villages £35 per hour

For further details and bookings contact
Jeff White on **01886 880000**
or book online at cradleyvillagehall.org.uk

HERITAGE COLLECTION

EVERY THURSDAY AFTERNOON
2.00 p.m. to 4.00 p.m.

TRACE YOUR ANCESTORS
EXPLORE LOCAL HISTORY
LOOK AT OLD MAPS AND PHOTOGRAPHS
USE OUR REFERENCE LIBRARY OF LOCAL AND
NATIONAL HISTORY BOOKS AND LEAFLETS

FREE COMPUTER USE AND SUPPORT FOR ALL

MONDAY MORNINGS
10.30 a.m. to 12.30 p.m.
THURSDAY AFTERNOONS
2.00 p.m. to 4.00 p.m.
PHOTOCOPYING
INTERNET ACCESS
SIMPLE HELP AND TRAINING

POST OFFICE

MONDAY MORNINGS
9.00 a.m. to 1.00 p.m.
THURSDAY AFTERNOONS
1.00 p.m. to 4.30 p.m.

CRADLEY 'LIBRARY'

FREE BOOK EXCHANGE, OR TAKE AWAY
FOR A SMALL DONATION TO HALL FUNDS.
HARDBACKS, PAPERBACKS,
DVDS AND CDS, CHILDREN'S BOOKS

You can book the Hall,
buy tickets for events,
and sign up for email notification of
up and coming events online at
www.cradleyvillagehall.org.uk

THE ROYAL BRITISH LEGION



ROYAL BRITISH LEGION CLUB

NEWS & EVENTS FOR JUNE 2023

It's starting to feel like summer has arrived although it's not officially here till the 21st of the month. The dawn chorus is bright and early and the evenings are getting lighter, making it a perfect time for an evening walk to your RBL Club. Coming up this month, we have lots of football on the big screen, and the next comedy night is just around the corner.



FA CUP FINAL! Saturday 3rd June KO 3:00 p.m.

Join us to watch the FA Cup Final live from Wembley Stadium on the big screen as Manchester

United take on Manchester City. We'll have our 3 pint offer on from the start of the match till the final whistle blows! 3 pints of Butty, Carling or Stowford for £10 or 3 pints of Guinness or Madri for £12. Get here early to secure your seat for what is going to be a fantastic 90 minutes of football.

UEFA EURO FOOTBALL! Friday 16th June KO 7:45 p.m.



Join us to watch Matchday 3 of the UEFA Euro 2024 qualifiers live from the National Stadium Ta'Qali, Malta as Malta take on England. We'll have our 3 pint offer on from the start of the match till the final whistle blows! 3 pints of Butty, Carling or Stowford for £10 or 3 pints of Guinness or Madri for £12.

UEFA EURO FOOTBALL! Monday 19th June KO 7:45 p.m.



Join us to watch Matchday 4 of the UEFA Euro 2024 qualifiers live from Old Trafford as England take on North Macedonia. We'll have our 3 pint offer on from the start of the match till the final whistle blows! 3 pints of Butty, Carling or Stowford for £10 or 3 pints of Guinness or Madri for £12.

COMEDY NIGHT – 1st July 8:00 .p.m. start



Tickets now available, get yours before they sell out.... £15 including a delicious ploughman's supper. There'll be 5 fantastic comedians, and an MC. Call us on 01886 880552 or 07929

225390, or pop in Monday - Saturday, to secure your tickets.

* * *

As well as our events, join us any night of the week for a drink and a chat from 7:30 p.m. Our members' facilities include snooker, pool, skittles and darts. You don't need to be ex-service to be a member. You can join for around 5p a day and membership includes annual Royal British Legion membership, a quarterly magazine and other benefits only available to members! Why not come along and see for yourself the benefits of joining, and start planning your local nights out.

Don't forget if you're organising an event, take the headache out of bar planning and book our outside bar. For further details please pop in and chat with Trina or give us a call on 01886 880552. Alternatively, why not hire all or part of the club for your event.

To keep up to date with all our events, see future copies of the Parish magazine, click on the village diary, subscribe to our newsletter and find us on Facebook.

We look forward to welcoming you to all our events,

JOANNE

Club Secretary / Treasurer

As many of you will know, one of our long-standing committee members and valued supporters of the RBL Club, Ivor Lloyd, sadly passed away on Sunday 30th April. He spent many years raising funds for the RBL and the RBL Club, for which we are truly grateful. Our sincere condolences go out to his family at this time.

ON THIS DAY

June 1st 1946: The first TV licences were issued, at an annual cost of £2. The price included a radio licence which on its own would have cost £1. By 1968 the cost of a TV licence for monochrome reception had risen to £5 and a new colour TV licence was introduced at a cost of £10. The requirement for a radio licence was dropped in 1971 along with the separate car radio licence.

June 4th 1913: Emily Davison died after getting onto the Epsom racetrack during the Derby and being hit by the King's horse which was at a full gallop. She had been active in the suffragette movement and had previously served jail terms for breaking windows in the House of Commons and assaulting a man she had mistaken for David Lloyd George, the Chancellor of the Exchequer. Her motive for her actions at Epsom was not clear. She died 4 days later without regaining consciousness.

June 10th 1967: The 6-day war between Israel and the forces of Egypt, Jordan and Syria came to an end when Syria, the last nation to continue hostilities against Israel, accepted a ceasefire agreement. Israeli forces had won a crushing victory and Israel had captured territory including the Sinai Peninsula, Gaza Strip, West Bank, the Old City of Jerusalem and the Golan Heights. In November 1967 the United Nations passed Resolution 242 which called upon Israel to withdraw from the territory it had captured in exchange for lasting peace.

June 13th 1381: Kentish rebels, led by Watt Tyler, entered London and razed the palace of John of Gaunt, the King's uncle. The rebellion had drawn wide support, especially in the South-East. They were protesting against legislation imposing a maximum wage for labourers and a poll tax. Tyler was killed the following day but the protests continued for some time. As a result, the poll tax was dropped.

June 17th 1972: 5 burglars were arrested at the headquarters of the Democratic National Committee in the Watergate complex in Washington DC. One of the burglars was the security chief of the Committee to Re-elect the President (CREEP) and the others had a CIA background. Around the same time there had been an unsuccessful attempt to break into the offices of George McGovern, the Democratic candidate for the presidency. President Nixon denied any involvement but the *Washington Post* exposed his part in the conspiracy, with assistance from an anonymous informant, later revealed to be the deputy director of the FBI. Nixon won a landslide victory in the 1972 election but resigned in 1974 with impeachment proceedings pending.

June 22nd 1969: Judy Garland died in London at the age of 47. She was found to have taken an accidental overdose of barbiturates. She is best known for her film career but she also had great success as a singer, with her songs regularly making the charts from 1939 until 1967.

June 23rd 2018: 12 members of a junior football team and their coach went into a cave system in Thailand after a training session. Shortly afterwards heavy rain started to fall which partly flooded the caves and blocked their exit. Contact with the group was lost for more than a week but on July 2nd they were found about 4km from the cave mouth. A very complex rescue operation, involving over 100 divers, brought the entire group to safety by July 10th.

June 29th 1986: Richard Branson, aboard his 72 ft power boat the Virgin Atlantic Challenger, broke the record for the fastest Atlantic crossing by more than 2 hours. The previous record was established by the liner the SS United States in 1952.

June 30th 1960: Now widely regarded as Alfred Hitchcock's finest work, *Psycho* was screened for the first time. It set new standards for violence and deviant behaviour in the cinema and at the time the critics gave it a mixed reception. However, it was the second highest grossing film of the year, beaten only by *Spartacus*. It was nominated for 4 Oscars, including best director, but won none.

IAN THOMPSON

DEADLINE DATE FOR PAID ADVERTISEMENTS

Payment and advertisement to be received by 12th of the month prior to insertion.

MATHON PARISH HALL



EXERCISE CLASS

THURSDAYS

10.00 a.m. to 11.00 a.m.

Do join us at our friendly exercise class:

a tutored routine designed for the mature individual, covering the whole body and focusing on stretching.

You'll feel more flexible rather than exhausted!

£5 per session

For further information ring Sue on

01886 880541.

STORRIDGE VILLAGE HALL 100 CLUB

The results of the 100 Club draw for April 2023 were:

First: David and Jo Oseman
Second: Jane Batstone
Third: Jacky Pye

Congratulations to our draw winners. Don't forget that you can join the 100 Club at any point during the year. You will only pay for the months you are entered into the draw (£12 for the year March to February or £1 per eligible month).

Please contact me if you would like to be entered into the draw.

JACKIE WHITE
01886 833802/07785 714034
jackie.white@hotmail.co.uk

CRADLEY SURGERY

01886 880207

www.cradleysurgery.nhs.uk

Surgery hours:

Monday to Friday:
8.00 a.m. to 6.00 p.m.

Closed weekends and Bank Holidays

You can also ask a question online at <https://florey.accurx.com/p/M81600> which will be read by a team member within 48hrs.

This might be about an admin issue, e.g. about sick notes, repeat prescriptions etc; about a medical issue egg new or ongoing symptoms; or advice and guidance concerning conditions, symptoms and treatments.

If your GP practice is closed and you need more urgent help, visit [NHS 111 online](https://www.nhs.uk) or call 111 In an emergency call 999.

WANT TO CONTACT A NEWSLETTER DISTRIBUTOR?

Perhaps you would like an extra copy,
or have had a problem with the delivery?

Then please ring:

Lin Brighton for Cradley East and North:
01886 880425

Judith Aldridge for Cradley West: 01886 880953

Joy Perkins for Mathon : 01886 880301
Mary McQueen for StorrIDGE : 01886 884063

IVOR LLOYD RIP



It is with great sadness that I have to report that a good friend and neighbour has passed away. Ivor Lloyd was not only a neighbour but a long-standing member of the Royal British Legion and a well-known member of the community. He spent his early years growing up in Suckley and a career in the military followed. Joining the Junior Leaders at a young age, the 2nd Royal Tank regiment soon became home. An army uniform was a sure way to get a drink at the Legion club even though there might have been a question of age. As time went by Ivor swapped his Chieftain tank for a career on the railway, becoming signalling manager and eventually moving from Malvern to Cradley with his lovely wife Lyn. That was 29 years ago when Ivor and I both moved into our new homes on Bosbury Road. Ivor, being a regular and a member of the committee at the club, soon invited me along for a drink, and so started a long friendship. I soon realized how much of a driving force Ivor was at the club and indeed within the community.

Ivor's role on the committee was as vice chair to another stalwart of the club, Charlie Greco. He was also on the Royal British Legion branch committee ending up as chairman, again following in the footsteps of Charlie. The important business of the branch is that of coordinating the Poppy Appeal collection and Ivor was at the forefront. With the team of collectors Ivor was awarded a solid gold badge for some very impressive results. This is an award few have received. On remembrance Sunday Ivor would read out the names of the fallen and afterwards lead the parade to the memorial and lay the poppy wreaths.

For the club, Ivor's quiz was well renowned and jolly good entertainment. Mispronunciations and the occasional giving of the answer instead of the question all made the evening such fun. He was also, dare I say, the opening act for the comedy nights with a favourite catchphrase 'If you haven't been to the club before, why not'. Ivor's drive and enthusiasm for the club will be sorely missed and very difficult to replace.

On behalf of all the club members and those who knew him, here's where I say "Goodbye Ivor. It's been an honour and a pleasure to have known you and share a few pints together. Keep smiling me old mucker.

RICHARD COLLINS

Ex Chairman Cradley StorrIDGE and Mathon Royal
British Legion Social Club

CRADLEY SURGERY NEWSLETTER

Dr Peter Clegg
Dr Chris Spruce

June 2023

Our Covid booster clinic: Our Saturday booster clinic was very well attended last month and we have vaccinated nearly 400 people. We do not currently have any plans to do another clinic. At the moment we are advising patients, if they would still like their booster, to call 119, the Covid helpline, or go online via the national booking service. Once again, we would like to thank those friends, neighbours and relatives who brought patients to the surgery to receive their vaccinations at the clinics. Also, a big thank you to all the staff here at Cradley who came in on their weekends so the clinic could go ahead.

Information: Now that the world is opening up for holidays and travel please make sure that you are up to date with your travel vaccines. If you're planning a holiday abroad and want to know your vaccine status, please go online and fill in our travel vaccine form. Please allow 2 weeks for the vaccine report to be completed by our nurse. Once this is completed you can book in for any necessary vaccines at [cradleysurgery.nhs.uk/services](https://www.cradleysurgery.nhs.uk/services).

Online Consultations: You can send messages to your practice by using our online consultation tool – a quicker and more efficient way of contacting your doctor's surgery rather than having to wait on the phone. You can also attach documents such as fit notes, saving on time and postage. You could be offered video consultations with a health care professional if necessary. Both patient and clinician can join a video call in a few simple steps! Remember to ensure that your details are up to date with your doctor's surgery as you will need to enter your details when sending in your request and it is important that they match. Please be aware that it may take 3 working days for your surgery to get back to you so do not use online consultation to contact us for anything urgent. We would also like to inform patients that as from May 2023 we have stopped accepting emails from patients. Our email address is reserved for healthcare professionals only. Instead please use our online consultation tool which is accessible on our surgery website's home page <https://www.cradleysurgery.nhs.uk> or phone us on 01886 880207. You can also write us a letter to our surgery address: Cradley Surgery, Bosbury Road, Cradley, Malvern, WR13 5LT.

Hospital appointments, waiting times and reports: Whilst we can appreciate that the wait for a hospital appointment may be long and worrisome, we would like to kindly ask patients to contact the hospital directly themselves if they are unsure about an upcoming hospital appointment or trying to chase up a medical report. Our secretaries at the surgery are under incredible pressure currently – like all NHS staff

– and they cannot speed up the process for you or chase up for every patient who has an upcoming hospital appointment. If you, as a patient, feel as though your patient care is suffering whilst waiting for hospital appointments or medical reports this needs to go via a GP, not our secretarial department, so please ask to speak with a GP regarding such issues. Alternatively, if you have been referred for an appointment and would like to check the approximate waiting time you can use the My Planned Care website. This will vary for each patient and depends on what you are having done. Please visit myplannedcare.nhs.uk. This site has helpful information for patients waiting for a clinical opinion, treatment or surgery. The site is updated weekly and can be viewed by anyone which means that you, your family or carer as well as your NHS team can all see the latest information. Your hospital team will be in touch with you as soon as they can so please check this website before contacting your hospital or GP. We thank you for your continued support.

Trip Advisor: Many of our patients make lovely comments about the surgery to us individually. We would really like it if you would share your views on the NHS choices website. Simply go to www.nhs.uk and enter Cradley Surgery in the search bar. Alternatively you can access the link on our website www.cradleysurgery.nhs.uk Thank you in advance for taking the time to post a review: positive feedback means a lot to the doctors and staff and gives us a real boost in morale.

Appointment punctuality: Please can we remind patients that you need to arrive no later than 5 minutes after your appointment time. If you arrive more than 5 minutes late you will be asked to re-book your appointment. We cannot hold any appointments after your booked slot as this impacts our clinicians and other patients. If you are going to be late for an appointment you need to ring the surgery on 01886 880207.

Dispensary changes: Due to staffing issues it has been necessary to close the dispensary hatch from 9.00 a.m. to 3.30.p.m. every Thursday with effect from May 25th 2023. We are sorry for any inconvenience caused and will keep the situation under review.

DON'T FORGET!

Hard copies of advertisements and articles should be placed in the post box attached to the left hand side wall of the former butchery, Bosbury Road, Cradley.

EVERGREEN CLUB

Well, we've had a bit of a mixed bag of weather so far for May but it does look at the moment that things might be sorting themselves out a bit. I jolly well hope so because I'm going up to North Wales in our little camper van for a few days to see our son on his birthday which I am really looking forward to. We stay on a delightful little CL campsite overlooking the sea and the South stack lighthouse, its light gently pulsating against the night sky. Gosh I'm getting a bit lyrical here!

On Monday May 1st there were only sixteen of us at club as some people were either celebrating Mayday or unfortunately unwell.

On Monday May 15th we had Bill, a retired doctor and skin specialist, who came to talk to us concerning *Getting the best out of the NHS*. His opening statement was that the NHS is in crisis. He then went on to start from the beginning of his career as a consultant in Leeds and Janet his wife was a medical secretary. In the 1960s things were very formal and for the first ten years of his career he would work 80 hours a week with one night off. Catering for young doctors was brilliant and they were looked after very well. He continued with stories of his medical journey and how things have changed along the way up to the present crisis in the NHS. Too many people not enough money are the two main obvious reasons. He asked us questions and compared how things were then, doctors' visits to home, getting doctors' appointments and hospital waiting times. He recounted many funny experiences with patients over the years, from climbing ladders to access homes where the patient didn't answer the door or preventing a patient from blowing up her home when he detected gas and she was about to light a cigarette. He was very informative about all aspects of attending your doctor and hospital appointments highlighting potential difficulties and how to make it easier for ourselves. And at the end of the day, if you have prolonged problems whatever they may be such as appointments or issues around your care then call Patient Advisory Liaison Services (PALS) on 0300 123 1732 (Worcester). A most enjoyable, extremely informative and amusing talk. Jackie provided a lovely tea for about 20 of us and Joe did the raffle.

On Monday April 17th we were delighted to welcome representatives from Guide Dogs for the Blind, Alan and Jean (puppy walkers) with Henley. They train young dogs and had trained Henley who had now retired. Then there was Quaver, a black breeding bitch, who again was now retired after producing 20 puppies for training. The purpose of guide dogs is to provide mobility, giving the blind recipient life-changing freedom, guidance and confidence to release themselves from social isolation and to become their best friend. Training starts at 8 weeks, with simple commands such as "sit" "sit and stay". They are introduced to different noises, exposed to sheep and cats, walking up and down stairs kept calm and not distracted or frightened in traffic. They attend special puppy classes but also have lovely walks and

free runs. Stages 1,2 and 3 of serious training begins at 3 months on pavements, avoiding obstacles, judging the width of openings and doors on trains and buses then crossing the road. Not all dogs qualify and there is about a 20% pass rate. There is about a 2 year waiting time for a dog and then all dogs are matched to people's needs. Covid had a detrimental impact on the institution. Guide dogs retired early, breeding stopped during lockdown and more puppies had to be withdrawn. consequently, there is now a shortage of dogs. Guide Dogs for the Blind depends entirely on donations which have severely decreased and as training a single dog can cost up to £60,000-£70,000 continuity has been severely affected. The dogs were beautifully behaved and members enjoyed stroking and patting them. A most enlightening experience for us all a generous donation from us all was given to a wonderful cause.

We have a break for the Bank Holiday and we'll meet again on Monday June 12th when hopefully Janet Ashton will entertain us with music and song. We send our love and best wishes to John Davies who is being given physio to help with his mobility problems and is in good spirits. Also to Elizabeth who is not at all well and Audrey recovering in a lovely care home in Ledbury. A little thought to finish on. "Love is like playing bridge. If you don't have a good partner, it's good to at least have a good hand."

Speak soon, lots of love.

CHRIS ORFORD
Club leader
01886 880387

STORRIDGE VILLAGE HALL **is available for hire by residents and non-residents of the parish**

There are three rooms available, one large, suitable for up to eighty people. Both smaller rooms are suitable for meetings or use as an occasional office. A well equipped kitchen for the use of hirers is included in the hire charge. **All** rooms have a hearing loop.

CHARGES

£10.00 per hour

Use of car park, without hall £10.00 minimum
(£1.00 per car if more than 10 cars.)

Further information/bookings please contact our Bookings Secretary, Liz Kabani:

Phone: 07518 328435

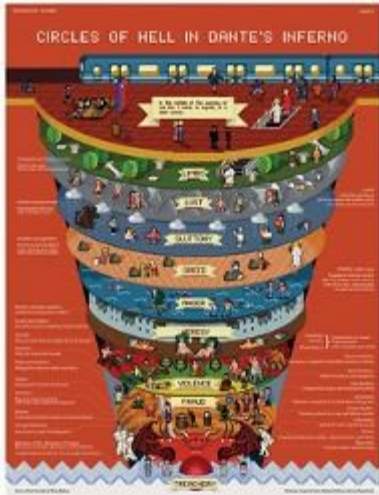
E-mail: svhbookings@fastmail.co.uk

STORRIDGE LITERARY AND MUSIC FESTIVAL 2023

STORRIDGE VILLAGE HALL

Tuesday June 13th at 7.30 p.m.

Dante's *Divine Comedy*



The Italian poet Dante Alighieri (1265-1321) was described by Tennyson as "the central man of all the world." He summed up the learning and scholarship of the Middle Ages but also, as it were, announced the Renaissance. He stands on the bridge between the two. His greatest work, the *Divine Comedy*, explores the breadth of medieval philosophy and theology while also celebrating classical myth and learning, and introducing us to some of the great figures and leading events of (western) world history.

Canon Chris Pullin will provide an introduction both to Dante's life and the events that shaped it, while also introducing us to the *Divine Comedy* with selected readings (in English) and its artistic and musical context. It will be impossible to give more than a hint of the riches of Dante's thought and poetry, but Canon Pullin hopes that it might whet people's appetites to explore them further for themselves.

Christopher Pullin was Chancellor of Hereford Cathedral until 2022. With degrees in theology and philosophy, he was a parish priest in London and Worcester before moving to the cathedral in 2008. At the cathedral his responsibilities included oversight of the library and archives and the cathedral's educational work. He has a particular interest in the life and works of Dante, dating from his days as a student in Berkeley nearly 45 years ago. He has run study days, given lectures and presentations, and led a tour of Dante's Italy. In 2014, 2015 and 2017 he accompanied the cathedral's Magna Carta to cities in the USA, in mainland Europe and in Asia, introducing its history and significance to audiences from Houston to Beijing.

He can be found introducing Dante on You Tube. His interest is in the theology, philosophy and history that forms the *Divine Comedy*. Other interests of his are painting, gardening, and the Benedictine monastic tradition, all of which he hopes to pursue in his retirement.

Tuesday July 4th at 7.30 p.m.

Thrills and spills on a sponsored cycle ride through India with Kat and Julian Norbury.

In November 2022, Storrige residents Kat and Julian Norbury undertook a sponsored cycle ride of some 200 miles through rural India and Madhya Pradesh, to help raise money for the charity **Frank Water**. They visited such beautiful places as Chhattisgarh and the Kanha National Park (where they went looking for tigers!) and enjoyed seeing the vibrant markets and meeting the people of Gond and Baiga. All this together with spectacular scenery from valley floors to waterfalls with mountains in the background. Kat and Julian will share this in a slide presentation.



A highlight of the trip was to visit the operations centre of the charity Frank Water and to meet communities who have been helped by them. The charity not only works to supply safe and clean water to remote communities but has expanded this to support sanitation and irrigation projects – sometimes promoting them through street theatre. The charity has also branched out in unexpected directions – it provides sustainable water to festivals and restaurants (including in the UK!) and has developed a range of skincare products which can be used without the need for water. Should you wish to find out more about the charity, visit www.frankwater.com

This promises to be a fascinating talk and slide presentation not to be missed!

Refreshments will be provided.

Entry is free, and donations are invited towards Storrige Church and Organ Fund

Car parking will be available after 7.00 p.m.

Storrige Village Hall is on the junction of the A4103 Hereford-Worcester road and the B4219 from Storrige to Malvern.

For more details see www.storrigechurch.org.uk or telephone Kat Norbury on 07764 902850.

To go on a monthly mailing list about the Festival events, email stefan_scot@yahoo.co.uk

MATHON PARISH COUNCIL ANNUAL MEETING

MAY 16th 2023 at 7.30 p.m. in Mathon Parish Hall

Following the elections held on May 4th, Cllr Sam Harte was re-elected as chairman. All Cllrs present signed their declaration of acceptance of office. Cllr Caroline Green was re-elected as vice-chairman. The chairman welcomed our new ward councillor, Helen Heathfield (Green Party).

Malvern Hills Trust - Mr Chris Rouse had phoned the clerk with some points re MHT. Mr David Baldwin reported to the meeting. A board meeting was held on May 11th. The trust was putting through a Private Members Bill to alter the governance of the trust to a more modern representation. The present Acts of Parliament date back to the 1800's which very much restrains the trust's ability to move forward with new plans. The trust has appointed a specialist firm of solicitors to get the bill through. Recent Boundary Commission changes to wards and parishes in the Malvern area are causing problems for the trust, as it is still controlled by the Conservators Acts of Parliament (as previously mentioned). Local MP Harriet Baldwin is helping the trust to navigate a way through, and the trust is waiting for legal advice. Anti-social behaviour at Castlemoreton Common continues to be a nuisance for the trust and local residents. Both MHT and police patrols have been increased. Mr Baldwin outlined the wide range of responsibilities undertaken by the 18 staff employed by the trust.

Ward Councillor - newly elected ward Cllr Helen Heathfield reported that a new leader of the council had yet to be appointed and would be elected at a meeting to be held on Friday May 19th. She would have more to report at the next PC Meeting in July.

Annual Audit of Accounts - The clerk reported that the accounts to March 31st 2023 had been independently audited and these were approved by the council. The chairman and clerk signed the audit return forms which would be sent to the external auditors, and posted onto the website.

Mathon Parish Hall – Cllr Sam Harte reported that a new photo display of old Mathon scenes had been put up and were proving very popular. The next meeting of the hall committee would be in September.

Highways – pot holes - Rook Row Farm. Cllr C Green reported that potholes had been filled in, but at the time they were filled with water, so would soon need refilling. Cllr P Davies reported that the potholes in Harcourt Road had been filled in. The council agreed to two verge cuts for Mathon in this current year. The clerk to report blocked culverts along the road Burford to Ham Green and at Hackney Cross.

Cliffe Arms – nothing definite to report at the moment.

Next Meeting Date - TUESDAY July 4th 2023 - in Mathon Parish Hall at 7.30 p.m.

DIANA TAYLOR (MRS)
Clerk to Mathon PC
Tel: 01684 569430 E-mail:
dtaylormathonclerk235@gmail.com
9, Lambourne Avenue, Malvern, Worcs WR14 1NL
Website: www.mathonparishcouncil.co.uk



“CHAT AND CRAFT”

10am to 12pm

Every 3rd Monday in the month

Meetings: 20 March, 17 April,
15 May, 19 June, 17 July

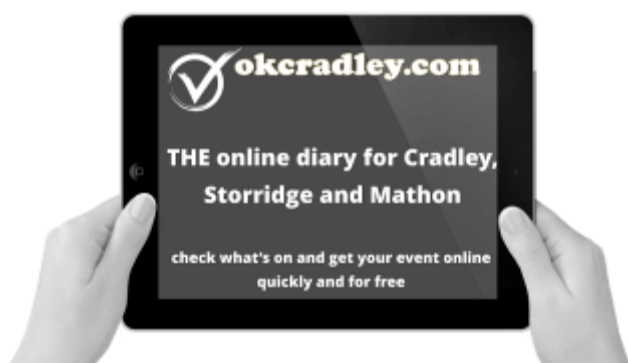
Cradley Village Hall

You are warmly invited to bring your work along to enjoy a chat, swap ideas, learn and get help from each other.

We knit/embroider/sew/make jewellery/have a go at Hardanger, Crochet and more ... in fact we're interested in anything and everything craft-y!

Come and join us in a friendly environment to learn a new craft or just have a natter and swap ideas.

For more information please contact Carole
mail@dpassmore.plus.com



CRADLEY SCHOOL

King Charles III Coronation: We all enjoyed celebrating the King's Coronation last month – Gardening Club designed our Coronation Garden which is at the front of the school, including Buginham Palace!



The whole school, including nursery, celebrated the Coronation with a Mix-up Afternoon on the Friday following the Coronation. They wore red, white and blue while taking part in cake decorating, butterfly feeder making and Coronation activities on the field.



Year 6: Our amazing Year 6s completed their SATs week – well done to all of them, and Miss Tuckwood, for working so hard in the lead-up to and during Sats. They are now looking forward to some fun activities including a trip to London!



ASTRONOMY IN THE NEWS

During mid-April, Venus was still the bright planet of the western evening sky, now setting closer to sunset. The Sun is becoming more active with prominences, so there is an increased possibility of aurorae as happened across the UK in April.

Continuing last month's theme of recent astronomical related international news items - on March 25th there was a very close approach by an asteroid between 43 and 95 metres across which was discovered last February. It missed the Earth by about 180,000 km, half the distance between us and the Moon and it will not come anywhere near the Earth again for a very long time. For comparison, the asteroid that exploded in the air over Chelyabinsk, Russia in February 2013 was about 60 metres across. The pressure wave broke many windows and the atmospheric explosion was caught by many dashcams.

These are very small compared with the main asteroids in the asteroid belt between Mars and Jupiter. Most meteors that we see streaking across the sky are the size of grains of sand, heating up and evaporating in the atmosphere causing the air to glow momentarily. If they are much larger, there is a chance that they might not melt away and hit the Earth's surface explosively. Then the remnants are called meteorites. In February 2021 a small meteorite landed on a driveway at Winchcombe in Gloucestershire and was successfully tracked, located and picked up before the weather eroded it. That one was mostly carbon dust originating long before the Earth was formed in the Solar system and a really unique specimen. Some contain amino acids, the building blocks needed to form DNA and so eventually bacterial life, which may be common throughout the universe around stars. We know that there are many organic carbon chain molecules and similar in the darkest of cold nebulae around stars where they have been formed.

The last impact of really significant size was a comet which exploded in the upper atmosphere and caused a compression wave that flattened a Siberian forest in 1912. The fireball was visible from London. The Barringer crater in Arizona is several kilometres across and was caused by a small solid iron meteor explosively impacting the ground. There are many signs of craters over the Earth's surface, but most have been eroded away or filled in as lakes. Most impacts are in the ocean. Small meteorites landing on Earth usually erode quite quickly unless they fall in a desert. They are easiest to find in Antarctica against the snow. Some are known to be debris from other planets, including Mars, and the Moon, thrown into orbit around the Sun and eventually hitting the Earth by chance.

Also in April, another headline news item was the European space agency launch of the Jupiter icy moons explorer (JUICE). It will take eight years to get there, orbiting each of Jupiter's icy Galilean moons in a series of very close flybys. We know that there are oceans underneath their thick ice-covered surfaces.

The orbiting probe carries 10 scientific instruments - one is for studying Jupiter's huge and varying magnetic field, another is for measuring the gravitational fields of the moons, another is a precision altimeter for surface 3D mapping, and another an ice-penetrating radar. It also carries a high-resolution colour camera, and much more.

There could be sea creatures based on a food chain around hot vents on the floor of the oceans, just as there are on Earth, but we cannot land and drill through many kilometres of ice to reach the ocean floor and find out. The innermost ice-covered moon, Europa, has geometric patterns on the surface ice, much like the Arctic, but also strange colourations at the boundaries, presumably brought up by the ocean underneath. The other moons have curious features as well. These moons are easily seen as points of light around Jupiter with binoculars when it is favourable to view next year.

There are many interplanetary probes on their way or planned to study the planets, their moons and some asteroids in our solar system, by NASA, ESA and other national space agencies, in various collaborations. These are intended to help us better understand their origins and conditions for biological life.

Another example is a flyby probe on its way to the Trojan asteroids, which orbit the Sun 60° ahead of Jupiter and 60° behind. The Parker probe is to study the Sun closer than any other before and has flown several times past Venus to get into close solar orbit. Another probe will study Mercury; it is still a mystery as to why it is shrinking and has so many craters and a very large core for its size. Another is to investigate an asteroid that is made almost entirely of metal and has some brilliant white markings on its surface associated with craters - presumably upturned material from below the surface from meteor impacts forming them. There is a planned mission back to Saturn's largest moon, Titan. Its thick atmosphere is mostly nitrogen, like a frozen Earth. The previous Cassini probe around Saturn released the Huygens lander to the surface and showed it has rivers and lakes of cold liquid methane. It photographed methane snowballs on the surface. The proposal is to land a robotic helicopter, Dragonfly, designed to hop around different locations on the surface. There are many exploratory missions to Mars, including one to collect the surface drilling samples left by the Perseverance rover. It is still exploring Jezero crater, a sedimentary delta output from a former river, where bacterial life may have existed before Mars's atmosphere was mostly lost. There are several space agency exploratory probes planned around the Moon associated with the Artemis manned landings to come. All proposals are competitively peer reviewed for scientific value for a limited budget; ESA has 22 countries contributing to their projects financially or by supplying instrumentation, with many international collaborations. More next month.

C.J. BADDILEY

EVERY BODY DANCE

EVERYBODY DANCE and Cradley C of E Primary School are working together on a new project called 'Get Out Together' and invite you to join them.

Get Out Together is an intergenerational project for young people aged 9-16 and elders aged 60yrs +.

A small group of pupils from Cradley C of E Primary School invite you to join them for a series of short local walks in June 2023. These will be of a length and level suitable for your ability and needs, and theirs. This could be 100 yards or 3 miles! Staff and a project leader will accompany the walks.

Parallel schemes are running in Cradley, Bosbury, Ledbury, Leominster and Bromyard and we invite you to take part.

If you enjoy being outdoors and the company of young people, please get in touch with Rachel Freeman by email rfeverybodydance@gmail.com or phone 07870 429528.

Get Out Together is supported by #iwill through Herefordshire Community Foundation.

www.everybodydance.org.uk

Proudly supporting
youth social action

#iwill



CROWCROFT MARKET @ The Yard

VISIT US SUNDAYS
25 June, 23 July, 27 August, 17 September
10.30AM – 2.30PM:

FARMER'S MARKET - ARTS & CRAFT FAIR - FAMILY FUN



- Fresh, locally sourced products
- Artisan foods, fresh fish, cheese, meats, honey & more
- Award winning burgers & sausages
- Local wines, beers & spirits
- Live Music with Malvern Ukulele Band
- Fun Dog Scurry! Come and have a go!
- Plant nursery
- Classic Cars
- Bouncy castles
- Hot drinks and food

THE YARD @ CROWCROFT, LEIGH SINTON, MALVERN WR13 5ED
Free parking



WANT TO CONTACT A NEWSLETTER DISTRIBUTOR?

Perhaps you would like an extra copy, or have had a problem with the delivery?

Then please ring:

Lin Brighton for Cradley East and North:
01886 880425

Judith Aldridge for Cradley West: 01886 880953

Joy Perkins for Mathon : 01886 880301

Mary McQueen for Storrige : 01886 884063

To advertise contact

Jan on 01886 880316

Jackie on 01886 833802

or email:

Adverts@cmsnewsletter.org.uk



British Flowers Week

Kat's Cut Flowers

PYO workshop Monday 26th June 2023

6-8 pm

Sherridge, Sherridge Road, Leigh Sinton, WR13 5DB

Hello! I am Kat from Kat's Cut Flowers (www.katscutflowers.co.uk). I am an artisan flower farmer based at Sherridge just outside Leigh Sinton where I grow and sell beautiful, freshly cut home grown British Flowers. To celebrate British Flowers Week, I am opening up my flower farm for PYO (Pick your own) on the evening of Monday 26th June from 6-8 pm for you to come and choose your own flowers from my flower patch and then create your own hand-tied bouquet to take away while enjoying a cold glass of prosecco. Max 6 people. £40 each.

To book please email me at kat@katscutflowers.co.uk or on 07764 902850.

CHARLES MAIDEN
EST. 1986
Waste Disposal Ltd 

Routine & Emergency emptying of
Domestic & Commercial:-

- SEPTIC TANKS
- TREATMENT PLANTS
- ALL SEWAGE SYSTEMS
- BLOCKAGE CLEARANCE
- GREASE TRAPS

Throughout Herefordshire, Shropshire & Worcestershire.
Call us now for your free quote.

01885 482305

info@charlesmaidenbromyard.co.uk
www.charlesmaidenbromyard.co.uk

R K Construction

- ♦ Extensions
- ♦ ground works
- ♦ general building
- ♦ maintenance
- ♦ landscaping works

plus intricate brickwork projects

City & Guilds trained with over 30 years experience

Tel: 07774 239932

Email: rkconstruction@btinternet.com

Whitewells Farm Cottages, Cradley

www.whitewellsfarm.co.uk

01886 880607

4* SC Holiday accommodation across
7 cottages.

Exclusive hire for wedding celebrations,
family celebrations and friends
get-togethers.

Short term accommodation while you find
your perfect home.

Paul J. Rowe

All Aspects of
PAINTING AND DECORATING

Experienced • Professional
Reliable • Friendly

07815 657472

Or Facebook
[P J Rowe Painting & Decorating](#)

Cecilia Hall Dance Centre

Classes in Great Malvern Tel: 07443 872188

ceciliahalldance@live.co.uk
DANCE CLASSES FOR CHILDREN

BALLET, TAP, MODERN, MUSICAL THEATRE
plus Performance groups.

New Preschool Ballet at 9am on Saturdays.

Our next show is Sunday 21 May to feature solo songs
and dances at The Coach House Theatre, Malvern.

Performance group show Sunday 25 June at The Market
Theatre, Ledbury.

Pussy Cat Cattery



**Luxury Boarding Cattery in an idyllic,
safe and calm location for cats only.**

**Seville Cottage,
Suckley, Worcester,
WR6 5EQ**

www.pussycatcattery.co.uk

01886 884867

Viewings are most welcome
www.facebook.com/SevilleCottage

DEADLINE DATE FOR PAID ADVERTISEMENTS

Payment and advertisement to be received by
12th of the month prior to insertion.

 **H & J** 
Pest Control Services

**EXPERIENCED/ RELIABLE/AFFORDABLE/ALL PESTS TREATED
FULLY INSURED • BPCA/RSPH II QUALIFIED**

Domestic Properties and Commercial Contracts undertaken
We treat Rats, Mice, Wasps from £50
Hornets, Fleas, Squirrels, Flies, Moles, Bed Bugs, Rabbits, Birds, Carpet
Moths/Beetles, Ants...

INSECTS/RODENTS/MOLES

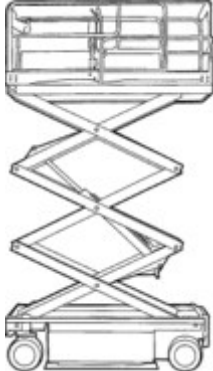
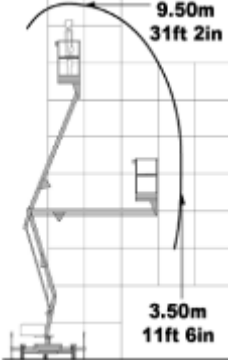
Contact Henry Yardley: 07889 782933
info@hjpc.co.uk www.hjpc.co.uk

**CURTAIN MAKER
SUE BRADFORD**

An Experienced Seamstress
with a sense of humour

**01886 833522
07812 837936**

ACCESS LIFT HIRE
www.accesslifthireworcester.co.uk

9.50m
31ft 2in

3.50m
11ft 6in

Ideal for flue lining, tree pruning, guttering, painting, aerial
installations and internal factory works, etc.

With working heights of up to 9.50m
Able to fit through 2ft 6in openings
All have current LOLER certificates

With hire rates from £65 for half day call:
Louise 07968 963359 or Chris 07710 489575

info@accesslifthireworcester.co.uk
www.accesslifthireworcester.co.uk

**THE
BOSBURY
BARBERS**

Opening Hours

Monday 9.00 a.m. ~ 5.00 p.m.
Tuesday CLOSED
Wednesday 9.00 a.m. ~ 1.00 p.m.
Thursday 9.00 a.m. ~ 5.00 p.m.
Friday 1.00 p.m. ~ 6.30 p.m.
Saturday 8.30 a.m. ~ 12.30 p.m.

Free Parking & Wheelchair Access
Discounts for Pensioners & Children

BY APPOINTMENT ONLY

Tel: 01531 640799
www.thebosburybarbers.co.uk

**SHAUN'S TYRES,
BATTERIES AND EXHAUSTS**

**01684 575480
07557 105233**

UNIT 1 SPRING COURT, SPRING LANE SOUTH
MALVERN, WORCESTERSHIRE
WR14 1AT

30 YEARS OF RELIABLE AND EFFICIENT SERVICE

 **TYLER ROBERTS**
Domestic Plumbing
& Heating

TYLER ROBERTS
07977257645
01886880671
tylerroberts33@hotmail.com

- Cylinders / Unvented
- Loft Tanks
- Tiling
- Taps and Washers
- Central Heating
- Bathrooms
- Kitchens

24hr 7 days a week call out service



Andrea, Liz and Jeanette welcome you to Hair and Beauty at the Park. A small friendly hair & beauty salon situated in Malvern with free parking and online booking



01684 770439

hairandbeautyatthepark.co.uk
Clarence Park, 415 Worcester Road
Malvern, WR14 1PP

HOLIDAY PET FEEDING SERVICE

Do you need someone to feed your pet when you are away? Whether it is just for a single visit or for longer periods

Call Sarah on 01886 880727 to discuss your requirements



All traditional garden services

Design consultation

Royal Horticultural Society trained

Fully insured

Full and half day slots available

Mobile: 0777 3135266

Email: aw.matthew@gmail.com

OPEN
Wednesday - Saturday
10am-5pm
Sundays & Bank Hols
11am-3pm

Wykeham Gardens PLANT CENTRE

We grow a range of garden favourites alongside more unusual varieties, plus plants for shade.

GREAT SELECTION OF POTS

AT LAST YEAR'S PRICES!

WE ALSO STOCK:
Pots & Containers, Seeds, Tools, Composts, Wildlife Items & Wild Bird Food

Stocklist available on our website

The Yard at Crowcroft,
Leigh Sinton, Nr Malvern WR13 5ED

01684 578381 | 07976 444618
www.wykehamgardens.com

Malvern Computers

IT ✨ ✨  Support

Repair, maintain, install and advise
01684 561849 or 07852 474673
malverncomputers@talktalk.net
www.malvern-computers.co.uk

LIGHTING | MIRRORS | FURNITURE

TABLE LAMPS
WALL LIGHTS
LAMP SHADES
FLOOR LAMPS
CEILING LIGHTS
TASK LAMPS



LIN AND SOO ARE HERE TO HELP WITH ALL YOUR LIGHTING REQUIREMENTS

REPAIR
RE-USE
RECYCLE



J.A.HALL
ACE LCGI GCGG ARC

FURNITURE RESTORATION AND REPAIRS
IF IT'S WOOD, WE CAN MAKE IT LOOK GOOD

JEFF AND ROB ARE HAPPY TO DISCUSS ALL FURNITURE REPAIRS/RESTORATION

MALVERN STUDIOS
56 COWLEIGH ROAD, MALVERN WR14 1QD
01684 574913
www.malvernstudios.co.uk



R.S.B. DECORATIONS
Professional Painting and Decorating



All aspects of Decorating undertaken

- Interiors & Exteriors
- Sash Windows
- Wooden flooring renovation
- Kitchen units hand painted
- Granite worktop repairs
- End of tenancy freshen-up
- Application of Epoxy floor paint for garages, cellars, sheds etc.
- Specialists in Black & White, Historic and Listed buildings

Est. 34 years

01905 821453 / 07851 225277
email: roger.bent@btinternet.com

Cecilia Hall Dance Centre
Classes in Great Malvern Tel: 07443 872188
ceciliahalldance@live.co.uk
ADULT DANCE/FITNESS

Mondays	10.40am and 2.30 pm	Ballet
	11.45am	FitSteps
	1.30pm and 8.00pm	Tap
	5.45pm	Grade 6 Ballet
	9.00pm	Modern
Tuesdays	9.20am	Pilates
	10.30am and 3.00pm	Tap
	11.30am	FitSteps
	1.50pm and 7.00pm	Ballet
Wednesdays	9.10am	Pilates
	10.15am	Modern
	11.20am and 1.45pm	Ballet
	12.30pm	Flamenco
	2.50pm	Pilates
	6.45pm	Ballet
Thursdays	10.00am	FitSteps
	11.15am and 7.30pm	Ballet
	2.15pm	Silver Swans Ballet
	6.30pm	Zumba
Fridays	10.30am	Ballet
	11.45am	FitSteps
Sundays	8.45am	Pilates
	10.00am	FitSteps
	11.15am	Tap



Professional, approachable and offering home visits

Just contact Clare Malloy on 01684 563318

All areas of law covered

Elphick House, 287 Worcester Road, Malvern, Worcestershire WR14 1AB • 01684 563318
www.paytons.co.uk • ask@paytons.co.uk

SIMON THE PLASTERER

15 years experience
Quick and Reliable
No Job Too Small
Free Quotes

Telephone 01886 880399
Mobile 07599 671911

Kiln Dried Hardwood FIREWOOD

Ready To Burn certified



01531 825236

Red Kite

Pest Control

Combining Tradition and Innovation

For all your local Pest Control requirements

All INSECT, RODENT and

WILDLIFE Pests

Free Advice, free no obligation Quotations

-----ALSO-----

TAXIDERMISTRY

I'm interested in purchasing
unwanted pieces of
taxidermy
(for private collection)

Telephone Andy Staples on:
07977 044987 / 01886 832730



MASSAGE AND/OR WELLBEING COACHING

MASSAGE for your painful
back/shoulders/legs/arms/feet

Plus COACHING enables you to
help yourself when suffering from
Chronic on-going conditions

Relax with Aromatherapy oils

Create a more comfortable life and feel
more in control of your symptoms

CALL NOW - FREE 30 min assessment

FRAN DOIDGE fran@coachingforwellbeing.co.uk

www.coachingforwellbeing.co.uk

01886 880100/07974 400575

Annie Henderson

Soft Furnishings

Curtains, blinds, loose covers and
home accessories made using your
own fabric

Alteration service both for soft
furnishings and clothing also available

City and Guilds qualified

For a free quotation please contact:

01432 820125

annie@needleseye.me.uk

WORCESTER BESPOKE JOINERY

Specialist in purpose made joinery
Built in furniture made and fitted
Windows, Doors, Cupboards, Kitchens
Built in wardrobes & many other items

Call Ian on 07941 568183

or 01905 421493

Email: ianplante@gmail.com

Domestic & Commercial
Interior & Exterior

From a Refresh to a Restoration
the highest standards achieved to
enhance your home and living experience

Painting and Decorating
Drylining and Plastering
Window Restoration
New Builds and Offices
Kitchen and Furniture Modernisation
Tiling



*Painting
& Plastering*

Please call, email or message for a quote

07815 295557

✉ contact@dmproperty.services  [@dmpropertyservices9](https://www.facebook.com/dmpropertyservices9)

CHIMNEY SWEEP

Andy Johnson

Certificates Issued
Evening / Weekend Sweeps
Stove maintenance



**Tel: 01886 821933
07798 790913**

 andysweeps1@gmail.com 

Little Growbags Children's Nursery



Hunters Moon, Bransford, WR6 5JB
www.littlegrowbagsnursery.co.uk

'Nurturing your child through play to their full potential'
Open 7.45 a.m. - 6.00 p.m. Monday to Friday
From 3 months - 5 years: OFSTED registered for 37 places
Small holiday club : Home cooked food
Friendly, caring and flexible : Safe dropping off and parking

Please call us on 01886 833379

SPORTS THERAPY MASSAGE

Backache, Stiff Neck, Painful Knees, Arms or Legs?
Don't suffer; call and book a sports therapy massage,
a remedial massage that can give pain relief
to those aching muscles

JULIA ADAMS – Holistic Therapist
01886 832641/07968 726651

Sherridge Road, Leigh Sinton

*Bowen Technique, Aromatherapy, Indian Head Massage
and Sports Therapy Massage*

Learn to play...

Saxophone, Clarinet, Flute, Trumpet/Cornet

All ages welcome

Contact: Baz
01886 880985/07971 247310
barry.strange1@btopenworld.com



M A WILLIAMS Electrical Services Ltd
— Friendly | Professional | Reliable —

Fully Qualified Local Electrician
for all your Household Electrical needs.

Also Heavily Experienced in Commercial and
Industrial Electrics, as well as Testing.

Please do not hesitate to contact me, Mark
Williams, for a free quote.


APPROVED
CONTRACTOR

Which trusted

www.mawilliamselectrical.co.uk
mark@mawilliamselectrical.co.uk

Tel: 07966 984893

ANYONE FOR TABLE TENNIS?

Table and equipment available for use
at

STORRIDGE VILLAGE HALL



£10 per hour

(Discounts during school holidays)

Contact Liz Kabani for details on
07518 328435

An adult must make the booking and accompany
children under the age of 16 at all times

HAVING A PARTY?

Why not hire the Cradley Village
SUMO WRESTLING SUITS?



Two adult and two child suits
available.

Special Rates for Residents!

Go to cradley.org.uk for details

Or contact Ian Bailey on
01886 884682

or Jan Dampney on
01886 880316



JUNE

Thu	1	10.30 a.m.	Teeny Tots. StorrIDGE Village Hall. Until 12.30 p.m.
Thu	1	7.30 p.m.	Cradley WI meet in Cradley Village Hall. Mike Jackson will talk about Producing the Antiques Roadshow.
Sat	3	3.00 p.m.	Watch at the Royal British Legion Club the FA Cup Final. Manchester United v Manchester City. 3.00 p.m. KO.
Mon	5	1.00 p.m.	Bioblitz at Cradley Churchyard, see www.cradley.org.uk for details. Until 3.00 p.m.
Wed	7	2.00 p.m.	Cradley Mathon & StorrIDGE Art Group, until 4.00 p.m.
Thu	8	7.30 p.m.	StorrIDGE W.I. Philip Bowen speaking on 'The 1950s'
Thu	8	10.30 a.m.	Teeny Tots. StorrIDGE Village Hall. Until 12.30 p.m.
Sat	10	8.00 p.m.	Organ Concert of Improvisations by Jonathan Hope to silent film <i>Safety First</i> . Cradley Church
Mon	12	12.30 p.m.	NEWSLETTER DEADLINE for copy of event notices and new advertisements (hard copies to postbox on wall of the Village Store, Bosbury Road, Cradley)
Tue	13	7.30 p.m.	StorrIDGE Music & Literary Festival, <i>Dante and the Divine Comedy</i> . StorrIDGE Village Hall.
Thu	15	10.30 a.m.	Teeny Tots. StorrIDGE Village Hall. Until 12.30 p.m.
Fri	16	12.30 p.m.	NEWSLETTER DEADLINE for articles and diary entries (hard copies to postbox on wall of the Village Store, Bosbury Road, Cradley).
Fri	16	7.45 p.m.	Watch at The Royal British Legion Club the UEFA EURO Football. Malta v England. KO 7.45 p.m.
Sat	17	7.00 p.m.	Midsummer Supper at StorrIDGE Village Hall by Ticket only.

Mon	19	10.00 a.m.	“Chat and Craft”, Cradley Village Hall, until 12 noon
Mon	19	7.45 p.m.	Watch at the Royal British Legion Club UEFA EURO Football. England v North Macedonia. KO 7:45 p.m.
Wed	21	2.00 p.m.	Cradley Mathon & Storrige Art Group, until 4.00 p.m.
Thu	22	10.30 a.m.	Teeny Tots. Storrige Village Hall. Until 12.30 p.m.
Tue	27	7.30 p.m.	Christians Together meeting with a talk from Anthony Goodman, at 1 Chapel Orchard.
Thu	29	10.30 a.m.	The Leys Coffee Stop, until noon
Thu	29	10.30 a.m.	Teeny Tots. Storrige Village Hall. Until 12.30 p.m.

JULY

Sat	1	8.00 p.m.	Comedy Night at the Royal British Legion Club. 8.00 p.m. start.
Tue	4	7.30 p.m.	Storrige Music & Literary Festival, <i>Cycle for Safe Water</i> , in Storrige Village Hall
Thu	6	7.30 p.m.	Cradley WI’s Garden meeting (more details to follow).
Thu	13	7.30 p.m.	Storrige W.I. Peter Johnson speaking on ‘ <i>Why People Irritate Us</i> ’
Mon	17	10.00 a.m.	“Chat and Craft”, Cradley Village Hall, until 12 noon.
Thu	27	10.30 a.m.	The Leys Coffee Stop, until noon.

AUGUST

Thu	3	7.30 p.m.	Cradley WI’s Produce Show, Cradley Village Hall.
Sun	6	6.00 p.m.	Storrige Music & Literary Festival, Choral Communion in Storrige Church for the Feast of the Transfiguration, Storrige Church
Thu	10	7.30 p.m.	Storrige W.I. Linda and Mike Averill speaking on ‘ <i>Whitley Court in 1916 – based on diary of the bailiff’s wife</i> ’
Tue	22	10.30 a.m.	Community Coffee Morning and Bring and Buy with stalls, in Mathon church/churchyard, until noon.
Tue	29	7.30 p.m.	Storrige Music & Literary Festival, <i>Henley and Hats, Boaters and Blazers</i> , Storrige Village Hall
Thu	31	10.30 a.m.	The Leys Coffee Stop, until noon

Please keep your articles, event notices, diary dates and reports coming in. Please, whenever possible, email your contributions to the editorial team at: editors@cmsnewsletter.org.uk.

Please send all advertising bookings and enquiries to the advertising team at: adverts@cmsnewsletter.org.uk

Documents emailed to the team should be in Word or JPEG format. Hard copies can be left in the *Newsletter’s* mailbox fixed to the wall of the old village shop in Bosbury Road, Cradley. Every effort is made to verify the authenticity of statements made in the *Newsletter*, but neither the Editor nor anyone connected with its production and distribution can accept any responsibility for errors or inaccuracies, or for the opinions expressed within it. Neither do they guarantee or endorse the services and products advertised.

The *Cradley, Mathon & Storrige Newsletter* uses personal data for the purpose of managing the *Newsletter*, its subscriptions, distribution and advertising, the contributions submitted and its finances. Data may be retained for up to 7 years for accounts and tax purposes and for longer where required by law. If you would like to find out more about how we use your personal data or want to see a copy of the information about you that we hold please contact the Newsletter team on editors@cmsnewsletter.org.uk

Editorial Team: Robert Colledge, Antonia Musgrove, Ian Thompson.
The editor of the July issue will be Robert Colledge.
Compilation Team: Pauline Diplock, Jackie White

HOLLOWAYS

GARDEN FURNITURE

IN STOCK – IMMEDIATE DELIVERY

Luxury dining sets · outdoor sofas · loungers
parasols · bistro sets · patio heaters
plus garden antiques & huge range of terracotta pots



LOCALLY-SOURCED MENUS

Home-grown beef · delicious, seasonal salads · soups
burgers · freshly-baked tarts · homemade puds
BRUNCH · LUNCH · AFTERNOON TEA

Book now 01886 884665 · www.holloways.co.uk

Open Monday-Saturday 9am-5pm
Lower Court, Suckley, WR6 5DE

Hillview Soft Furnishings
Made to measure curtains & blinds
handmade in Cradley. Large fabric
library & fitting service

ellen@hillviewsoftfurnishings.co.uk
ring Ellen: 07769 676831



'don't get stung'

**FIXED PRICE WASP NEST
TREATMENT**

TEL: 07968 982111

D & G DRAINAGE

All aspects of drainage installations and repairs

- ◆ Sewage Treatment Plants ◆ Septic Tanks
- ◆ Foul & Storm Drainage ◆ All Groundworks Undertaken
- ◆ Foundations ◆ Digger & Driver Hire
- ◆ CCTV Camera Inspections

Contact Daniel Lowndes for free quotation!

Tel: 01684 561338; or Mobile: 07875 394571

E-mail: dan@dgdrainage.com

Find us on Facebook

HUNABAN HEATING LTD



Heating Engineers



Worcester Bosch Accredited Installers

Oil, Gas and LPG boilers installed,
serviced & repaired.

Aga and Rayburn cookers serviced & repaired.

Landlord Gas Safety Inspections completed

Heating systems upgraded.

**The Uplands, Westfields, Cradley,
Nr Malvern, Worcs. WR13 5HZ**
Tel 01886 880260/07771 998238
hunabanheating@btinternet.com

The Hamlets

Bosbury Road - Cradley - WR13 5LT
01886 880221

It's going to be an exciting year for 'The Village Store', we are rebranding to The Hamlets during the first half of the year with some changes in-store, new products lines and better quality products.

Finer wines (Exclusive to us in the area) are now stocked, come in to take a look at our new range. We are working on getting locally produced fruit and veg to support our local companies, we have started selling newspapers again and can reserve them daily for you (Collections Only).

Finally we have also introduced a monthly raffle instore, donations are contributed to different causes each month.

Facebook- 'The Village Store - Cradley' for regular update.

Opening & Closing Hours

Mon 8am-7pm
Tue 8am-7pm
Wed 8am-7pm
Thu 8am-7pm
Fri 8am-7pm
Sat 8am-7pm
Sun 9am-5pm

HADLEY & SONS, RUNDLEMEAD, MATHON

Tel: 01886 880524, or Mobile: 07969 064304



- * Forestry and fencing contractors
- * Haulage and mechanical excavation
- * Round timber purchased

- * **Timber cut to size**
- * Tree advisory service
- * Tree surgery specialists



* **Firewood logs for sale**



WS5274/00001

* **Saw mills**

Acer Tree Services (Hereford) Ltd

Free no obligation quotes for all of your
Tree work requirements



Tel: 01432 860839
Mob: 07774 134577

Joe.brandt@btconnect.com

24hr Emergency call out service

Fully Insured, Qualified and Audited
regularly

Experienced – Knowledgeable – Professional

www.acertreeservices.com



DIPLOCK

Plumbing & Home Improvement

- Plumbing
- Bathrooms
- Kitchens
- Tiling
- Maintenance
- General Building Work

Friendly, Honest and Reliable
Service.

Call Tim Diplock on
07930 500955

timdiplock@gmail.com

Three Counties Chimney Sweep



- *All Chimneys and Flues Swept
- *Cowl and Pot Fitting Service
- *Stove and Liner Installations
- *Nest and Blockage Removal
- *Fully Insured

Call Ian on:

Tel: 01684 891005
Mob: 07403 277 436



Your Local
Accredited
Chimney
Sweep



BED & BREAKFAST at

QUEENSWOOD, CRADLEY
<http://malvernhillbandb.uk/>
all rooms ensuite



To book
please phone

01886 880078