

CRADLEY

MATHON

STORRIDGE

NEWSLETTER



Price: £1.25

(or 12 copies for just £10 by subscription)

March 2024

HOLLOWAYS



FRESH NEW SPRING MENUS

DELICIOUS BREAKFASTS · SEASONAL LUNCHES
RELAXED AFTERNOON TEAS

On-Site Parking · Comfy Sofas · Log Burner · Great Views

BOOK ONLINE OR CALL 01886 884665

GARDEN FURNITURE NOW IN

Outdoor Dining Sets · Garden Sofas · Parasols
Loungers · Bistro Sets · Outdoor Living Accessories

plus Garden Antiques & Pots & Planters

★ FREE LOCAL DELIVERY ★



www.holloways.co.uk



Open Monday-Saturday 9am-5pm · Lower Court, Suckley, WR6 5DE



'don't get stung'

**FIXED PRICE WASP NEST
TREATMENT**

TEL: 07968 982111

HUNABAN HEATING LTD



Heating Engineers



Worcester Bosch Accredited Installers

Oil, Gas and LPG boilers installed,
serviced & repaired.

Aga and Rayburn cookers serviced & repaired.

Landlord Gas Safety Inspections completed

Heating systems upgraded.

**The Uplands, Westfields, Cradley,
Nr Malvern, Worcs. WR13 5HZ
Tel 01886 880260/07771 998238
hunabanheating@btinternet.com**

Hillview Soft Furnishings

Made to measure curtains & blinds
handmade in Cradley. Large fabric
library & fitting service

ellen@hillviewsoftfurnishings.co.uk
ring Ellen: 07769 676831

D & G DRAINAGE

All aspects of drainage installations and repairs

- ◆ Sewage Treatment Plants ◆ Septic Tanks
- ◆ Foul & Storm Drainage ◆ All Groundworks Undertaken
- ◆ Foundations ◆ Digger & Driver Hire
- ◆ CCTV Camera Inspections

Contact Daniel Lowndes for free quotation!

Tel: 01684 561338; or Mobile: 07875 394571

E-mail: dan@dgdrainage.com

Find us on Facebook



The Village Store

Exciting News! Our store is now stocked with Loose Unwashed quality fruits and vegetables delivered by a local supplier! Come and explore the vibrant flavours and freshness. You can also elevate your evenings with our curated selection of new wines. Discover a world of exquisite flavours and indulge in sophistication.

We're constantly sourcing the very best of local products including FRUIT & VEG, CHEESE, TENDERSTEM, MEATS, ORGANIC MILK, HONEY, BEERS, ALE and many more.

WE ARE NOW DELIVERING LOCALLY!
Give us a call.

BUSINESS HOURS
8AM - 7PM MONDAY TO SATURDAY
9AM - 3PM SUNDAY

For updates, follow our official Facebook page:
[cradlevillagestore](https://www.facebook.com/cradlevillagestore)

**BOSBURY ROAD, CRADLEY, WR13 5LT
01886 880221**



Cradley Mathon Storrige Newsletter

£10.00 for 12 issues (or £1.25 per single copy)

MARCH 2024

SOMETHING NEW... AND LENT 2024

In February 2024, something new was born at Cradley Parish Church with the launch of 'Church For All', a new, all-age-inclusive form of worship, on the first Sunday of the month, at 10.45 a.m. We will seek to develop that appropriately, in the light of the feedback we receive. In March, it will be on the second Sunday of the month, March 10, which is Mothering Sunday, when the service will be led by members of the Mothers' Union, as in previous years. The Family Communion at Cradley will move, just this once, to the first Sunday of the month, Sunday, 3 March, to allow that to happen. On 7 April, the Sunday after Easter, 'Church For All' will be back to the usual time, on the first Sunday of the month. Easter is, after all, a time for making 'all things new'!

And so...to Lent 2024. Not long ago, someone in one of our parishes said that they had no idea what Lent, the forty-day season leading up to Easter, was all about. That being the case, it seems as well to quote from the introduction to the services for Lent in 'Lent, Holy Week and Easter', published by the Church of England in 1986:

'Since early days, Christians have kept with great devotion the time of our Lord's death and resurrection during Holy Week, especially from Maundy Thursday (28 March, this year) through Good Friday, to Easter Day (March 31). The observance of Lent was first undertaken by the candidates for Easter baptism, for whom it was the final part of their preparation before initiation into the Church in the Easter liturgy, and by those who were to be restored to the Church's fellowship, from which they had been separated through sin. It was not long before the Church came to recognise that, by a careful keeping of these days, all Christians might take to heart the call to repentance and the assurance of forgiveness proclaimed in the gospel, and so grow in faith and in devotion to our Lord. Lent became a season of preparation marked by penitence expressed in prayer and fasting. It is this sense of preparation, and so of eager expectation, with Good Friday and Easter Day always in view, that should characterise the season of Lent.'

The idea of 'giving up something for Lent' is the one Lenten practice which seems to live on in the popular imagination. It becomes for many a time for dieting, or for trying extra hard to give up an addiction, or some bad habit. And indeed, it has traditionally been a time to discipline ourselves, and to turn away from habits which dull our spiritual awareness. It's also a time for almsgiving, that is to say, for giving to good causes. We have here our Lenten charities, for which we raise funds through our Lent lunches and at the Lent talks. This year, we have chosen the charity 'We Are Farming Minds,' supporting our Herefordshire farmers through these straitened times, and a link with Mtwara, Tanzania, long supported by the parishes of the Ledbury deanery. You can find the details of all these events in the March Newsletter, on posters and on our websites.

Through and beyond all this, Lent is, for those Christians who keep it, primarily a season to travel with Jesus towards Easter, listening to him, and letting his word dwell in us richly.

'We invite you, then (to quote again from 'Lent, Holy Week and Easter'), to join us in the observance of a holy Lent, by self-examination and repentance; by prayer, fasting and self-denial; and by reading and meditating on God's holy word.'

Your Rector,
ROBERT WARD

Edition Editor: Antonia Musgrove, telephone 07785 294232
Rector: The Revd Robert Ward, telephone 01886 880438
Treasurer: Emily Hodkin, telephone 07811 905492
Advertising: Jan Dampney, telephone 01886 880316

**Cover photo this month taken by
Jan Dampney**

Church Services in March 2024

*Please check our pew sheets and parish websites to confirm details of live-streamed services nearer the time of each in case details change. *Denotes new time or service format.*

SUNDAY 3 March 2024 Lent 3	9:30 a.m.	Live-streamed Service (Lay led)	Benefice
	9:30 a.m.	Parish Communion (BCP)	Mathon
	10:45 a.m.	Family Communion (moved from next Sunday)	Cradley
	4:00 p.m.	Evensong	StorrIDGE
Wednesday 6 March 2024	10:00 a.m.	Holy Communion (said)	Cradley
	6:30 p.m.	Live-streamed Evening Prayer from the Rectory	Benefice
SUNDAY 10 March 2024 Mothersing Sunday Lent 4	9:30 a.m.	Mattins	StorrIDGE
	10:45 a.m.	Church 4 All (Family Service) for Mothersing Sunday	Cradley
	6:00 p.m.	Evensong	Mathon
Wednesday 13 March 2024	10:00 a.m.	Holy Communion (said)	Cradley
	6:30 p.m.	Live-streamed Evening Prayer from the Rectory	Benefice
SUNDAY 17 March 2024 Lent 5	9:30 a.m.	Mattins - Lay led	Mathon
	9:30 a.m.	Holy Communion	StorrIDGE
	10:45 a.m.	Morning Service (Lay led)	Cradley
	11:00 a.m.	Live-streamed morning service	Benefice
Wednesday 20 March 2024	10:00 a.m.	Holy Communion (said)	Cradley
	6:30 p.m.	Live-streamed Evening Prayer	Benefice
SUNDAY 24 March 2024 Palm Sunday	9:30 a.m.	Mattins with the blessing of Palm Crosses,	Mathon
	9:30 a.m.	Mattins with the blessing of Palm Crosses	StorrIDGE
	10:45 a.m.	Parish Communion	Cradley
	6:00 p.m.	Live-streamed service of Evening Prayer	Benefice
Wednesday 27 March 2024	10:00 a.m.	Holy Communion (said)	Cradley
	6.30 p.m.	Live-streamed Evening Prayer	Benefice
Thursday 28 March 2024 Maundy Thursday	7.00 p.m.	Holy Communion, followed by Vigil Watch for those who wish to stay	Cradley
Friday 29 March Good Friday	10.00 a.m.	Morning Prayer (with Communion in one kind)	StorrIDGE
	3.00 p.m.	A devotion to mark The Last Hour on the Cross	Mathon
Sunday 31 March 2024	9.30 a.m.	Easter Communion (BCP)	StorrIDGE
	9.30 a.m.	Family Service followed by shortened	Mathon
	10.45 a.m.	Easter Communion with activities for children	Cradley

Church Services in April 2024

SUNDAY 7 April 2024 Easter 2	9:30 a.m.	Live-streamed Service (Lay led)	Benefice
	9:30 a.m.	Parish Communion (BCP)	Mathon
	10:45 a.m.	'Church 4 All'	Cradley
	6:00 p.m.	Evensong	StorrIDGE



MATHON CHURCH MATTERS

A **Lent Lunch** will be held on **Tuesday, 19 March** between **12 noon and 2.00 p.m.** at **Beech Grove Farm, Moorend Cross, Mathon**, by kind permission of **Geoffrey and Sally Pugh**. Everyone is welcome. The proceeds will be divided between **We Are Farming Minds** to raise mental health awareness and support the Herefordshire agricultural community, and **Mtwara** in Tanzania sending aid for food, clean water and building improvements to the church and school.

SP

CRADLEY CHAPEL

(Countess of Huntingdon's Connexion)



Services each Sunday at
10.30 a.m.

~~~~~  
Communion Service  
on the first Sunday of each month

~~~~~  
A very warm welcome awaits you.

STORRIDGE CHURCH FLOWERS

There will be no Flower Rota until April, due to Lent beginning in February and continuing through March.



MATHON CHURCH

READERS

03 March	Mr Walker	Mrs Pugh
10 March	Mrs Cutler	Mrs Crouch
17 March	Mr Crouch	Mrs Seymour
24 March	Mrs Pugh	Mrs Cutler
31 March	Mr Walker	Mrs Seymour

SIDESMEN

03 March	Mrs Pugh
10 March	Mrs Cutler
17 March	Mr Crouch
24 March	Mrs Pugh
31 March	Mrs Cutler



We will not be holding our usual meeting this month as we are holding a film at the Royal British Legion Club, Bosbury Road opposite the Doctors' Surgery on Friday, 29 March (Good Friday). There is a notice about this in this issue of the Newsletter. We will be returning to our usual meetings next month.

We look forward to seeing new and old members in this New Year.

If anyone would like information about "Christians Together in Cradley" please contact Roy Smallwood 01886 880858 or Alan Jameison 01684 592600.

ALAN JAMEISON



Dear Readers,

Regrettably we expect to be short-staffed in March, so please make sure you get your contributions in before the **deadline 12 March (adverts and notices) or 16 March (articles)** to be sure of inclusion in the April edition of *The Newsletter*.

Thank you.

The Newsletter Team

EVERGREEN CLUB

Well, rain, rain and more rain!! When is it going to stop? But Monday was beautiful, and I managed to dry two loads of washing outside on the washing line! I haven't been able to do **that** for a while. Spring is on the way, the snowdrops have put on a real show, and the daffodils are ready to open, and even a little celandine has popped it head up. So, onwards and upwards!

On Monday, 22 January, there were eighteen members plus our new member, Margaret, from Ridgeway Cross. It's lovely to have her join our happy band. We participated in a very popular game of "Scattergories", whereby a random letter of the alphabet is selected and there are different categories, eg, "Something you might find in the garage" or "A present for mother-in-law" and an item has to be chosen beginning with that particular letter. Each team receives points for choosing the most obscure answer, and, after several games a prize is awarded for the most points.

Jo and Lindsay provided a delicious tea as usual, beautiful sandwiches and cakes – a real feast.

Jo D did the raffle for us, and then, to round off the afternoon, we all enjoyed a few humorous tales.

On Monday, 5 February, there was another good turnout of members, and another relatively new member, Frank, volunteered to talk to us about his time as a fire-fighter. We're calling him "Fireman Frank"; we already have a "Bob the Builder".

Frank joined the City of Exeter Fire Brigade on 20 September 1961 as an innocent 18-year-old. His father had also been an on-call fire fighter when the Blitz started in London so it seemed only appropriate that he should follow in his father's footsteps. He was provided with his uniform and other kit, including two woollen blankets for his bed in the dormitory which had 15 beds.

Until he was fully trained, he was only allowed to go to small incidents, such as chimney fires. He went to training school for 12 weeks down in Reigate in Surrey and was issued with just two return rail tickets. That wasn't enough for Frank (who perhaps felt a bit homesick for Devon) and he managed to get a lift home every weekend with three firemen from Plymouth.

Frank, after completing his training, took part in many callouts and he told us about various incidents; bonfire night was one of the busiest times, but there were many others, some of which were difficult for Frank to describe.

Frank talked about the equipment needed on the fire engines and its use; 50 foot extension ladders had been used at first, but then 220 foot ladders with hydraulic lifts were introduced in later years.

He enjoyed his 35 years of service very much and Frank left with many memories, mostly happy, although there were some moments that he would like to forget.

Thank you, Frank, for a very interesting insight into the work of fire fighters.

A lovely tea was served by Jane and Glenys, beautiful sandwiches and delicious sweet treats. Jo D did the raffle and what a joy to find the sun still shining at the end of the meeting.

We meet again on Monday, 4 March at 2.00 p.m. There was no meeting on Monday, 19 February due to the funeral of dear Michael Moseley.

All good wishes and our love to John D, still unwell in hospital, and also to Elsie, who is making good progress after her knee operation.

A little thought to finish on – "Don't cry because it's over; smile because it happened".

Keep safe, speak soon, lots of love,

CHRIS ORFORD
(Club Leader)
01886 880387

AROUND THE WORLD IN 80 MINUTES

£ 2,700 RAISED FOR CHARITY

On Sunday, 28 January, we had a very successful fundraising event for the Air Ambulance, St. Michael's Hospice and Cradley Church.

About 90 people came to Colwall Village Hall.

We started by giving a talk of our travel experiences and slides. We then had a wonderful tea with a great selection of cakes, and we would like to thank all those who donated a cake. Everyone we spoke to thought that the tea was amazing. While people were relaxing over their cup of tea, we had our granddaughter playing the piano and then Wynne Harris on piano with John Parsons playing the violin, and it all gave a good ambiance.

We also sold £1,000 worth of raffle tickets. We have found in the past that good prizes and good charities sell tickets. The prize winners were:

1st Prize:

4 nights for 4 people in luxury lodge - Dave Hext

2nd Prize:

2 Tickets for Malvern Spring RHS show – Ian Cacer

3rd Prize:

Tea for 2 at Colwall Park Hotel – Kate Norberry

4th Prize: Visit to Wye Valley Brewery – Jane Fanshaw

5th Prize: Tickets for family to visit Eastnor castle - Kevin Rowle

6th Prize: 2 Tickets to Hereford chained library and Mappa Mundi - Julia Mclagan

We would also like to give a big Thank You to Ken Nason who helped us with our slide show and without whom we could not have run this event.

DEREK AND ANN CARVER



Cradley Wild

ANIMALS IN DANGER—HEDGEHOGS

Following on from the Bryce Family's excellent article on raising awareness about creating corridors/tunnels for hedgehogs, it feels appropriate to focus on the plight of the hedgehog. Hedgehogs are in serious decline (by up to 50% in rural areas since the millennium). There is no single reason but loss of habitat through development, hedge removal, habitat fragmentation, competition for food, injuries, lack of food and use of pesticides all contribute.

25% of hedgehogs die before they leave the nest and a further 50% do not survive into adulthood. However, we can all help hedgehogs.

Habitat

Hedgehogs can travel 2-3 km in a night making it essential to create a tunnel in garden fences. Otherwise, hedgehog populations can become isolated, which has a genetic impact and eventually the isolated populations may become unviable and subsequently extinct. Loss of habitat can mean hedgehogs struggle to find somewhere to nest or find food. Hedgehogs prefer hedgerows (hence the name), woodland edges and suburban habitats (reiterating the importance of small tunnels in fences). A hedgehog house in a quiet, shady area of the garden may encourage a hedgehog to take up residence in your garden. Hibernation isn't constant throughout winter and hedgehogs will leave their slumber if their fat reserves deplete.

As you read this, hedgehogs will start to emerge from their winter hibernation – so leaving food and water will give them sustenance to help them on their way. If you want to leave some food just in case - cat biscuits left undercover will be edible for a week.

Food

Hedgehogs like to eat invertebrates (beetles, earwigs, caterpillars, earthworms, millipedes, and fly larvae), so anything you can do to encourage these into your garden will help. Planting British native plants, encouraging dense vegetation and leaving some patches of bare soil will help. Hedgehogs are opportunist feeders and will eat cat/dog food. Putting food and water out during dry, hot spells will help (although milk and mealworms are a definite "no" for hedgehogs. Mealworms are the hedgehog equivalent of junk food). Log piles, compost heaps and a small pond (being aware that hedgehogs need a slipway to climb in and out of the water safely) will encourage invertebrates into your garden.

Accidents

Sadly, hedgehogs get injured by strimmers, they can be caught in netting, and, more often, are killed by cars. Hedgehogs can nestle in long grass, so if you are following 'no mow May' please check for hedgehogs before you cut the grass.

Hedgehogs won't run away when they sense danger; they just curl into a ball. Be hedgehog aware – drive more slowly and check before you chop and, when driving, slow down for nature.



In summary

There are many reasons why the hedgehog population is declining and no one garden can give a hedgehog everything it needs, which is why we all need to help. If you have an impermeable fence please make a tunnel, leave some leaves, logs, or a small wild patch in your garden and please don't use pesticides. Be hedgehog aware when using machines (including cars).

Together we can make a difference.

For more information www.britishhedgehogs.org.uk

And the Cradley Wild page at: www.cradley.org.uk

With thanks to articles by Warwickshire Wildlife Trust, Hedgehog Street, BBC

Cradley Wild meeting in Cradley Village Hall:
7 March at 2.30 p.m.

All welcome. Tea/coffee provided. Come and discuss what projects we should tackle this year.

JESSIE MOORHOUSE

DON'T FORGET!

Hard copies of advertisements and articles should be placed in the post box attached to the left hand side of The Hamlets Village Store,
Bosbury Road, Cradley



**THE UNITED BENEFICE OF
CRADLEY WITH MATHON
AND STORRIDGE**

LENT TALKS 2024

All on Wednesdays at 7.30 p.m.

Cradley Village Hall

Rectory Lane, Cradley, WR13 5EH

Wednesday, 6 March

**A Speaker from
'Embrace the Middle East'**

to update us on their work in Gaza
and throughout the Middle East

.....

**Wednesday, 13 March
Revd Hugh Wakeling**

**the link with Mtwara, Tanzania
and the projects supported**

.....

**Wednesday, 27 March
(Wednesday in Holy Week)**

**Sam Stables, a speaker from
'We Are Farming Minds'.**

an organisation countering stress
and isolation among Herefordshire
farmers

All events are offered
free of charge.

*Refreshments will be served,
with donations invited towards*

**EXCERPTS FROM PARISH
MAGAZINES**

**CRADLEY PARISH MAGAZINE FEBRUARY 1900
part 2**

Carving Class

This is going on with vigour, several pupils shewing considerable promise, and all seeming thoroughly to enjoy the work in which they are engaged.

Cradley Provident Dispensary

The annual Meeting of the Committee and Members of the Provident Dispensary will be held at the Rectory Room, on Thursday February 1st, at 7.30pm, when the Report for the past year will be read and other business connected with the Society will be transacted.

Sunday School

On December 28th a treat was given to the children by the Rector, who distributed at the same time, when the tea and games were concluded, the Prizes for the year. Mrs Hampden kindly gave a Bible, as last year; this was gained by Annie Pritchard, who obtained most marks in the 1st Class of Girls. The Rev. A. J. Brewster also gave a Bible, which was awarded to Arthur Jones, as obtaining the highest number of marks in the 1st Class of Boys.

Rewards for the last three months were gained by:

Edith Yeomans	Charles Farmer
Violet Williams	Reggie Pritchard
Ada Barber	Hubert Pritchard
Matilda Barber	George Lawrence
Fanny Yeomans	
Ethel Blake	

Contributed by
JOAN PROSSER
Member of Heritage Group

**HOW DOES YOUR GARDEN
GROW?**

As the days get lighter and the soil (hopefully!) gets warmer, many of us are looking forward to getting back out into the garden and are already starting to think about what we'll grow for the summer.

The Church and the Village Hall alongside the WI are holding a Plant Sale and mini garden fair on Saturday 4 May at the Village Hall. So, if you're dividing plants, sowing seeds or looking for a new home for a plant, the Plant Sale would welcome donations of any surplus plants.

Why not come along and browse the array of indoor and outdoor plants or join us for coffee and visit other stalls offering a range of garden-related ideas?

JAN DAMPNEY

STORRIDGE LITERARY AND MUSIC FESTIVAL 2024

Once again the Storrige Festival looks forward to another series of fascinating and lively events in 2024.

Talks range from aspects of Shakespeare's work to a vivid account of the experiences of a human rights monitor in Palestine's West Bank, and from a memoir and novel by a former soldier and diplomat to the work of a cathedral librarian.

Musical events feature a recital on the recently restored organ of Storrige church given by Peter Dyke (assistant director of music at Hereford Cathedral) and a delightful concert by our local musicians including Cradley primary school choir, the Rundle Ensemble of oboe, violin, cello and piano and Cradley Singers.

If you would like further details of these events in advance, please email stefan_scot@yahoo.co.uk

We look forward to seeing you!

**Refreshments will be available
Entrance is free; donations are invited**

**23 April, 7.30 p.m. Storrige Village Hall
Women and Children First.**

Hugh "Boz" Farey discusses Shakespeare's approach to his women characters - and the boys who played them!

**21 May, 7.30 p.m. Storrige Village Hall
Still in the Game.**

Antony Hornyold discusses fascinating experiences over fifty years in the military and diplomatic services in the Middle East and Africa, and he talks about the novel which grew out of them.

**18 June, 7.00 p.m. Cradley Primary School
(Please note the venue and starting time)
Music for all.**

A concert given by Cradley School choir, the Rundle Ensemble and Cradley Singers.

**16 July, 7.30 p.m. Storrige Village Hall
A human rights monitor in Palestine and Israel.**

Paul Clark gives a gripping and deeply moving account of his work with EAPPI, and shares some personal thoughts about the current situation in Gaza. This talk will not easily be forgotten.

**20 August, 7.30 p.m. Storrige Village Hall
Bring and Share.**

You are invited to bring and read out from your favourite poems and prose. Amaze us all!

**10 September, 7.30 p.m. Storrige Church
(Please note the venue)**

A recital on the recently renovated 19th century organ.

Given by Peter Dyke, assistant director of music at Hereford Cathedral.

**24 September, 7.30 p.m. Storrige Village Hall
Building a collection for a community: caring for Hereford Cathedral Library & Archives**

Jennifer Dumbleton, the Cathedral Librarian, shares insights into the life of the Cathedral Library from the world-famous chained library and the ancient archives to the open access library.



The Storrige Literary and Music Festival is generously sponsored by Kat's Cut Flowers. www.katscutflowers.co.uk 07764 902850. for beautiful, fresh locally-grown cut flowers.

SO TRUE—IT HURTS

Another year has passed
And we're all a little older.
Last summer felt hotter
And winter seemed much colder.

There was a time not long ago,
When life was quite a blast.
Now I fully understand
About living in the past.

We used to go to weddings,
Football games and lunches.
Now we go to funeral homes,
And after-funeral brunches.

We used to have hangovers,
From parties that were gay.
Now we suffer body aches
And sleep the night away.

We used to go out dining
And couldn't get our fill.
Now we ask for doggie bags,
Come home and take a pill.

We used to go to nightclubs
And drink a little booze.
Now we stay at home at night
And watch the evening news.

That, my friend, is how life is,
And now my tale is told.
So, enjoy each day and live it up
Before you're too damned old!

Contributed by CHRIS ORFORD

ON THIS DAY

March 1st 2014: in a phone call lasting more than 90 minutes US President Obama warned Vladimir Putin against intervention in Crimea as Ukraine's army was put on a state of high alert. Just 15 days later 97% of the people of Crimea voted in a referendum to secede from Ukraine and to become part of Russia. Despite widespread condemnation from western countries Crimea has remained under Russian control ever since.

March 4th 1969: At the conclusion of a trial which lasted a record 39 days the Kray twins, Ronald and Reginald were convicted of murdering Jack McVitie. They were both sentenced to life imprisonment with a minimum term of 30 years. The Krays had been leading figures in the violent underworld of the east end of London, using the proceeds of crime to establish more legitimate businesses. Between them they were convicted of 4 murders but were believed to have been responsible for at least 6 others.

March 7th 1965: Goldie the golden eagle dodged further attempts to recapture him. He had escaped from his enclosure at London zoo 8 days earlier when a cage door was left open. He was almost caught the previous day when eating a Muscovy duck in the garden of the US ambassador. A few days later he was tempted by a dead rabbit his keeper was using as a lure and put back safely behind bars.

March 10th 1801: The first official census of the population of England and Wales was conducted. The "Overseers of the poor" or "other substantial householders" were responsible for recording the numbers of occupied and unoccupied houses and the numbers of families living in them. They also recorded the numbers of males and females and of people employed in certain industries such as agriculture. The clergy were responsible for recording baptisms, marriages and burials. The population of England and Wales was then put at around 9.4 million.

March 14th 1971: The Rolling Stones left the UK and moved to the south of France. Their tax adviser recommended that they should leave before the start of the new tax year. The band members had been assured that their taxes had been taken care of but it turned out that they had paid no tax for 7 years and owed massive sums. At the time the top rate of tax on earned income was 75% - which was increased to 83% in 1974.

March 25th 1950: A ski jumping competition took place on Hampstead Heath. 25 skiers and 45 tonnes of snow were brought over from Norway for the occasion along with teams from Oxford and Cambridge universities. Space was limited so the skiers were jumping from a height of 12 feet and reaching distances of up to 90 feet, substantially less than modern competitive jumps. Arne Hoel of Norway won the overall competition while the Oxford team triumphed over Cambridge. The organisers were hoping that it would become an annual event, but Hampstead Heath never saw ski jumping again.

March 26th 1999: Ex-miners won their legal battle for compensation for lung damage caused by working in an atmosphere laden with coal dust. 65,000 miners had already registered their claims and many more were expected to come forward. The amount of compensation for each individual miner was to be determined by the level of disability they suffered and the length of time they had been exposed to the coal dust, with the total bill expected to reach £2 billion.

March 29th 1981: The first London marathon took place. At the sound of a cannon 6,700 runners started from Greenwich Park heading for the finish at Buckingham Place, with 80% of them completing the distance. The winning time was 2 hours 11 minutes 48 seconds, and the last official finishers crossed the line 7 hours after the start. The event, founded by the late Chris Brasher, has gone from strength to strength with over 48,000 finishers in 2023.

March 31st 1924: Imperial Airways was established to provide international air travel from its base at Croydon airport. It got off to an inauspicious start as an industrial dispute with pilots delayed the start of services until April 26th when a De Havilland DH34 made the journey to Paris. Later long haul flights were offered but they were not quick or straightforward by today's standards. For example, Croydon to Karachi took 7 days and involved a flight to Basle, a train to Genoa, a flying boat to Alexandria, a train to Cairo and finally a DH.66 flight to Karachi.

IAN THOMPSON

cradleywi@gmail.com Find us on Facebook'."/>

the WI
INSPIRING WOMEN

CRADLEY WI
Established 1938

Thursday, 4 April 2024 7.30pm

Cradley Village Hall

Monthly Meeting

**Mad as a Hatter,
Millinery and its History**

By Effie Williams

**Come along and meet us.
You are assured of a warm
welcome.
Your first visit is free.**

For more information phone:
Joy Edwards, President, 01886 880649 or
Lesley Gregory, Secretary, 01886 880525
or email cradleywi@gmail.com
Find us on Facebook

CRADLEY WI

The February meeting of Cradley WI was our first Open meeting of 2024, when non-members are welcome to attend. If you missed it, there will be another open meeting later in the year, so look out for the advert in future editions of the Newsletter.

Our speaker was Helen Picton, telling us about The Picton Garden and Old Court Nursery in Colwall, where they have the National Plant Collection of Michaelmas Daisies introduced into the UK in the 1600's.

The Garden and nursery were originally developed in the late 1800s by Ernest Ballard, the naturalist and diarist. At its peak there were more than 10 acres of Michaelmas Daisies.

In the mid 1900's Helen's grandfather, Percy Picton, bought the business from Ernest and developed it to move with the times, introducing new ranges of rare, unusual, and more popular plants including a wide range of snowdrops. Percy could, apparently, make anything grow and was described as 'the man who could make a billiard ball grow roots'!

Helen is the third generation of Pictons to run the garden, having recently taken over from her father.

Thirteen of us enjoyed coffee and cake (for some) and a bacon butty for one at The Nest. Always a popular spot and they have created a table especially as a Chat and Coffee space.

A small but select group of members went for lunch to the Royal Oak at Much Marcle.

For the third year running Cradley WI hosted the Pancake Lunch on Shrove Tuesday for 50 members, local villagers, and other WI members.

A choice of four homemade soups, crusty bread and, of course, pancakes with lemon for the traditionalists or jam and syrup for the sweet of tooth.

The raffle proved popular too, and we would like to thank everyone who came for supporting this event and braving the constant rain and muddy lane for one of our major fund-raising activities with our charity benefitting.

Regular readers will know there's never a dull moment at Cradley WI and the following day, Ash Wednesday, saw the Nimble Fingers group get together at Joy's home. There was a variety of handicrafts in action as well as the opportunity for a bit of a de-stash with both yarn and fabric finding new homes.

And if that's not enough excitement for one week, at the time of writing we're all looking forward to the inaugural Supper Club outing to Malvern's Flute Signature restaurant.

Cradley WI's next meeting is on Thursday, 7 March. This will be our Annual Meeting to review the last twelve months and to appoint a new committee to take us forward for the next twelve months. This is the perfect time to come and join us.

PAM MOSS Press Officer

LESLEY GREGORY Secretary

JOY EDWARDS President

Details at cradleywi@gmail.com
or find us on Facebook – Cradley WI

STORRIDGE WI

The February meeting of Storrige WI took place on a very, very wet night.

As Storrige is utilising the flexibility policy, subscriptions due this April will be £42. The National rate is £48.

Events offered by Worcestershire Federation include a chance to see Frances Carlew, "The Pearl Lady", who is running a workshop, making a bracelet and earrings, and also giving a talk entitled "A Passion for Pearls". Storrige was lucky in being invited last year by Malvern WI to hear Frances; a lovely afternoon which included a cream tea!!

Members heard what speakers and activities were planned for the coming year thanks to our Speakers' Secretary, Josie Lowe.

Each month we have a competition, with a yearly prize. Jean Davies presented the prize for last year. It was a very close result with Mary Herbert in third place, Josie Lowe coming second and the winner in first place being Catherine Best.

It has become a tradition for members to speak at the February meeting, with various topics being chosen over the years. This year's topic was "My route to now". This was open to members' own interpretations, reflecting on the twists and turns of life, where fate takes a hand to get us to where we are now. Members volunteered to take part, and we needed listeners as well as speakers. It is always a popular meeting as we get to know more about each other. It was quite clear that in each case "fate" had taken a very big hand.

Next month's talk is by Alan Soper entitled "Slow Journey West Bound". Storrige Village Hall, on 14 March at 7:30 p.m.

JOAN PROSSER
Secretary

WHAT NEXT FOR CVP?

(CRADLEY VILLAGE PLAYERS)

After last year's sell-out performances of *Beauty and the Beast*, things quietened down a bit for Cradley Village Players in 2023. You'd be surprised how much effort goes into rehearsing, preparing, performing a play and tidying up afterwards.



Our committee has seen changes – we're all volunteers and people's lives get busier; some move away, and no-one gets any younger. At our February meeting, Bill Chadney, a committee member since what feels like forever, stood down after many, many years of service and many, many CVP performances. Bill was our original Treasurer and ensured in the early days that there was always enough in the kitty to stage another play. We can't thank Bill enough for his efforts. Joanne Eldridge, who took our finances into the digital era, stood down as Treasurer. Joanne left a very tidy ship and a healthy bank balance for David Creed-Newton, newly appointed to the role, and the committee wished her well.

Many people have stopped me and fellow players to ask: 'What's next? Well, we we have some ideas for a short performance during the Summer Fete on 29 June and also hope to stage a play or pantomime around Christmas.

But to do all this, we need new members: actors, set builders, wardrobe managers, front of house helpers and many more. It's fun and rewarding to put together a successful play. If you would like to know more and get stuck in, in whatever role, please talk to any of our committee members – David Robertson (Chair), David Creed-Newton, Meg Monk, Sandra Dudley, Jill Salmons, Judi Creed-Newton and Tom van Vuren – or meet us on our stall at the Fete when you can also see video extracts of past shows.

TOM VAN VUREN
AND THE CVP COMMITTEE.

NEWSLETTER EMAIL ADDRESSES

Send articles and enquiries to

Editors@cmsnewsletter.org.uk

Send advertisements and notices to

Adverts@cmsnewsletter.org.uk

STORRIDGE VILLAGE HALL NEWS

The draws for the **100 Club** are made at the monthly management meetings that sometimes take place after the Newsletter deadline.

Below are the results of the last two:

19 December 2023	First	Diane Fry
	Second	Robert Hammond
	Third	Derek Scully
16 January 2024	First	Frank Bye
	Second	Jean Horne (S)
	Third	Dave Pye

Congratulations to all the winners.

The 100 Club runs from the March Annual Meeting (this year on Tuesday, 19 March) through to February, and renewal invitations for next year have been sent out. The cost is £12 per annum payable in advance. If you have not yet joined and would like more information, please contact me. The draw raises funds for the upkeep of the Hall as well as giving three prizes a month to members of the 100 Club.

In other news, a very enjoyable evening was spent at the New Year's Supper on Saturday, 13 January, where 60 people enjoyed good food, drink, quizzes and raffle as well as good company. Our thanks to all the volunteers who prepared the food and donated beautiful desserts, set out the room, served the food and drink and helped to clear up. The event made a profit of £344.73 which is split between Storrige Church and Storrige Village Hall. Thank you to everyone – volunteers and attendees – for making this such a success.

JACKIE WHITE
jackie.white@hotmail.co.uk

CRADLEY SURGERY

Dispensary Hours

from 25 May 2023
01886 880207

Dispensary open:

Monday to Wednesday and Friday:
9.00 a.m. to 1.00 p.m. and 3.30 p.m. to 6 p.m.

Thursday: 3.30 p.m. to 6.00 p.m.

Dispensary phone lines open:

Monday to Friday: 9.30 a.m. to 1.00 p.m.
and 3.30 p.m. to 5.30 p.m.

Please note the Dispensary opening hours and Dispensary phone line opening hours are different from those of the surgery.

(see separate notice for Surgery)

CRADLEY SURGERY NEWSLETTER

Dr Peter Clegg

Dr Chris Spruce

www.cradleysurgery.nhs.uk

CERVICAL CANCER PREVENTION AWARENESS WEEK 2024

Jo's Cervical Cancer Trust is the UK's leading cervical cancer charity. They provide trustworthy information and support to everyone that needs it, and campaign for the best cervical cancer prevention, diagnosis, treatment and care.

In January it was Cervical Cancer Prevention Week, and the Cradley team helped to support Jo's Cervical Cancer Trust to raise awareness of cervical cancer, encourage uptake of the HPV vaccination and cervical screening by donating to Jo's Cervical Cancer Trust and wearing the T- Shirts to raise awareness.

You can play your part too. Get involved, show support on social media, tell your friends, go for screening. Join the campaign:

www.jostrust.org.uk/ccpw.



From Land's End to
Cradley Surgery!
Our team all showed
support by wearing
the Jo's Cervical
Cancer Trust
T- Shirts.

SPOTLIGHT ON... National No Smoking Day 13th March 2024

Stopping smoking is one of the best things you will ever do for your health. The chemicals in cigarettes and other smoking products kill thousands of people in the UK every year. The toxins in cigarettes affect your body while you're smoking and after the cigarette is finished. The chemicals in cigarettes damage the structure of your blood vessels, including the arteries that carry oxygen rich blood to your heart and brain. By giving up smoking, you protect your body from the harm of dangerous chemicals such as:

Carbon monoxide

This is a poisonous gas that you breathe in when you smoke.

Tar

This is also in cigarette smoke and can cause cancer. When you breathe it in, 70% of the tar stays in your lungs and damages them.

Nicotine

This is the addictive chemical found in cigarettes. It increases your heart rate and blood pressure.

When you stop, you give your lungs the chance to repair and you will be able to breathe easier. There are lots of other benefits too – and they start almost immediately.

The NHS offer free stop smoking services including free counselling and support to anyone who wants to quit smoking. You can go to group support sessions. You can receive daily emails for support, join the Quit Smoking support group on Facebook and download the NHS Quit Smoking app to help you quit smoking and start breathing easier today!

NHS website: Quit smoking - Better Health - NHS (www.nhs.uk)

Smokefree.nhs.uk: 0800 022 4332

Contact us on 01886 880 207 or send us an online consultation for help and guidance from our doctors!

Hay fever Medication/ Gap Year Immunisations/ Travel vaccinations

It certainly is starting to look very pretty outside our surgery at the moment with the trees in blossom and flowers starting to bloom and the grass needing a good haircut! It does serve as a reminder that we should be thinking about medication if we are hay fever sufferers.

Please do think about starting your medication for Hay Fever this month and order in plenty of time to do so. To gain the full benefit of these types of medications it is recommended to start taking them 1 month before the season begins and to continue throughout.

It is never too early to ask our nurses for their expert travel vaccination advice.

Please collect a form from the surgery or download one from our website, simply fill it in and our nurses will do all the research on the country or countries you are visiting and check what immunisations/vaccinations are required against your record.

Please give our nurses at least one week to do this before calling to find out what their advice is. It is important that you give us plenty of notice before your holiday or travels so that we can research this information and start any immunisations or vaccinations you may need so that they are effective when you are abroad.

THE 3 VILLAGES VISITING GROUP ARE YOU, OR DO YOU KNOW SOMEONE WHO FEELS LONELY?



The Visiting Group is made up of a small number of volunteers who offer visits to anyone who may appreciate some company, whether it be for a catch up and a chat or maybe to share reading a book or just sit, whilst a partner goes out

Or perhaps you would enjoy the opportunity to share time together, by playing scrabble, chess, cards, including a hand of cribbage or doing crossword puzzles or any other games

If you, or anyone you know, might appreciate a visit, please let us know



Contact:

Sue Ronan on 01886 884646

Email: sue@ronan.me.uk

Jill Nicklin on 01886 880920



CRADLEY WI
Established 1938

**Cradley WI meets monthly in the Village Hall
on the first Thursday of the month at 7.30 p.m.**

**We have a speaker or other activity, a short business
meeting and plenty of time to catch up over
refreshments**

**We have lots of activities and clubs and take part
in many local events too**

Come along to a monthly meeting -

**You are assured a warm welcome and
your first meeting is free**

Contact Joy Edwards: 01886 880649 or

Lesley Gregory: 01886 880525

For more information

FREE ROOM HIRE

AT CRADLEY VILLAGE HALL

**We are happy to announce
that we will give free use of
the Hall to anyone wishing to
hold coffee mornings or
charity fund raising events**

**We include full use of
kitchen equipment and crockery
and free electricity use**

**Available Mondays 9am- 1pm
Thursdays 1pm-4pm**

**for details and booking call Jan 01886 880316
or call into the Hall or phone 01886881046**



STORRIDGE, CRADLEY & MATHON

TEENY TOTS PLAY GROUP

☀️ We are open to parents/carers with children aged 0-5 from all surrounding areas

👶 Come along for play, crafts and nature walks on Thursdays during term time
10.30am - 12 noon

Only £2 per family, which includes a drink and a snack

Cradley Scout Hut, The Old Rectory Rooms,
Churchfields Lane, Cradley, Herefordshire,
WR13 5LL

Please see our Facebook group for regular updates and news or contact Rachel on 07790890183

Please note: Parents/carers are responsible for their own children at all times



Cradley, Mathon and Storrige

ART GROUP

Do you wish that you could paint or draw but need encouragement and guidance?
Come and have a go with us!

We are a small group, meeting in Storrige Village Hall
2 p.m. to 4 p.m.

every 2nd and 4th

Wednesday of the month

Just turn up for a free taster session,

we can help you with materials – it's a friendly place to
have a go and get lots of support

For a chat about it, please phone:

Margaret 01684 569019 or Mary 01684 574120

Or email: cmsartgroup01@gmail.com



At
Queenswood
WR13 5NF

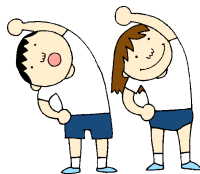
Saturday
29th June
11 until 5

Arena Events **Beer Tent** **Stalls & More**



Refreshments

MATHON PARISH HALL



EXERCISE CLASS

THURSDAYS

10.00 a.m to 11.00 a.m.

Do join us at our friendly exercise class:

a tutored routine designed for the mature individual,
covering the whole body and focusing on stretching.

You'll feel more flexible rather than exhausted!

£5 per session

For further information ring Sue on

01886 880541.

Cradley and Storrige Parish Council

Connecting
our
community



Funding now available
to assist individuals
and groups
within the Parish

The Parish Council have recently launched a 'Small Donations Scheme' allowing **YOU** to apply for amounts up to **£250** for matters **YOU** feel will be for the enhancement or benefit, of the area or its residents.

You can apply as an individual or as a member of a not-for-profit organisation

There are no specific areas that are excluded, but generally applications can be:

- Individuals or groups, enhancing a publicly seen area
- Groups wishing to add 'something extra'
- Mainly or fully housebound parishioners

Funding

Funding

Funding

For further details along with guidance:

Contact the Parish Clerk: ✉ clerk@cradleyparishcouncil.gov.uk

Visit the website and download the application form, or fill in the online form

www.cradleyparishcouncil.gov.uk

OUR MOON

The most likely theory of the Moon's origin is that it was formed from the collision of a larger body with the Earth resulting in a ring of orbiting debris that eventually aggregated into our Moon, much closer than it is now. The Moon's diameter is 1/7th of that of the Earth with a mass 1/80th of that of the Earth, too low for its gravitational field to retain any atmosphere. The Moon and the Earth orbit their common centre of mass, the barycentre. Imagine a ruler with a mass at one end, and a mass 1/80th of it at the other end. The balance point is 1/80th the distance along from the heavier mass. The Barycentre, the balance point, is within the Earth, 4700km from the centre. The Moon's orbit is elliptical, its furthest distance is 5.8% more than to its nearest, with a mean of 383,000km. It takes 27.32 days to complete an orbit with respect to the stars. In the meantime, the Earth and Moon have jointly moved 27.32 days further in their yearly orbit around the Sun, 26.92 degrees angle. The Moon takes about 2 days more to get to the same illumination-angle, so it takes 29.53 days to repeat the same illumination phase, (about 12.36 synodic cycles/year).

Like all celestial bodies, the Moon spins on its axis at constant angular speed. That comes from the law of conservation of momentum. But its orbit speed varies according to the distance from the Earth at that time, faster when it is closer, and slower when it is further. That also comes from conservation of angular momentum. The Moon always shows the same face to the Earth on average. As the orbit speed varies while the spin speed does not, at any one time they do not cancel, only so on average, so the Moon appears to oscillate from side to side slightly due to the changing view angle. Its orbital plane is inclined to that of the Earth round the Sun by 5.1°, so its angular height above or below the orbital plane oscillates through its orbit, so sometimes we are a little over its north pole and two weeks later the south pole. Also because of its elliptical orbit with respect to the earth, it is moving further then nearer periodically. When it is further than average it looks smaller in angular diameter, and when its nearer, larger. This is only slightly noticeable. If it is closest at full moon, that is called a super Moon. You would not notice the variation.

Its illumination angle visible from Earth with respect to the Sun depends on its position in its orbit with respect to the Earth and the Sun which leads to the lunar phases. At New Moon, close in angle to the Sun it is being illuminated on the far side; from us, hence dark. At first quarter phase it is at right angles to the Sun with respect to the Earth and so on. As explained in my article on eclipses, at full Moon it is usually too high or too low to go through the Earth's shadow (lunar eclipse) and similarly too high or too low at New Moon to obscure the Sun (solar eclipse). For an eclipse to happen, it has to align fairly accurately, which can only be twice a year.

The gravitational pull of the Moon produces the ocean tides, being strongest on the nearside to the Moon and weakest on the far side, so lifting the water level

on both sides. As the Earth rotates once a day, we go through those peaks, hence two tides a day. There is also a similar effect from the Sun and when in combination of alignment we get the highest and lowest tides.

It is always worth looking at the Moon with binoculars or a small telescope to see the craters, and the darker areas, 'maria', from meteor impacts 3.8 billion years ago, causing lava basin flooding. The oldest big meteor impact craters were partially submerged by the lava; the following meteor bombardments were much smaller in size, peppering the larger ones. Having no atmosphere or water, impact craters are not worn away. The maria have empty lava tubes, 'lunar rills', but there is no active volcanic activity anymore. The craters and mountains are best seen with binoculars looking along the line between darkness and light, the terminator, where the shadows are longest, so not at full Moon. With no atmosphere, the surface is constantly bombarded by micrometeorites, forming a dust layer on the surface. The Apollo missions brought back many rock samples. The lunar surface has similar silicon rocky elements to the surface of the Earth, but they've never been in contact with water, as it has never had any on its surface. The Apollo missions crew left instrumentation, including a meteor strike tremor detector and a laser reflector mirror. That reflector is laser ranged from the Earth every day, showing the Moon is moving away by 3.8cm/year.

From sunrise to the next sunrise on the Moon is that 29.5-day period, so its day is a month long. On the equator at midday the surface temperature can reach 120° C and a night, a minimum of -130° C.

Our Moon has stabilized the Earth's spin axis and stopped it from periodically flipping over, which would have produced extreme climate changes preventing organic life developing. Scientifically, it would be far easier to launch interplanetary probes from the Moon with its low gravity. Also, it would be ideal for large aperture telescopes having no atmosphere, which on the Earth blocks the X-ray, ultraviolet and infrared spectrum, rather than using orbiting telescopes of limited size and duration.

Next time: More headline-news research.

CHRIS BADDILEY



THE ROYAL BRITISH LEGION



ROYAL BRITISH LEGION CLUB – NEWS AND EVENTS FOR MARCH 2024

Six Nations is continuing, and we will be showing all the England matches live on our big screen. Come along for a great atmosphere and a seat with a view. Also, this month we have the rescheduled quiz night, a tabletop sale and our first BINGO night of the year.

Quiz Night! Saturday, 2 March 8:30 p.m. start



It's time to get the 'grey matter' in gear and get those thinking caps on as our quizmaster returns with his first quiz for 2024. Why not join us and see if your team can take the trophy from the current holders. (Winning team receives a bottle of wine for each player)

Eyes down at 8:30 p.m; has your team got what it takes to win...

March Fixtures:



09.03.24 England Vs Ireland KO 4:15 p.m.

16.03.24 France Vs England KO 8:00 p.m.

MATCH DAY OFFER: 3 pints for £12 from kick off till the end of the match. Check out our Facebook page and email newsletters for extra information. Everyone welcome, not just members.

Tabletop sale! 9 March 10:00 a.m. Start



Join us for our first ever tabletop sale from 10 a.m. till 12 noon. Tables cost £5; refreshments available. Pop into the club for more information or to book a table.

The bar will be open from 12 noon in advance of the rugby at 4:15 p.m.

BINGO! Saturday, 30 March 8 p.m. start



Grab your dabbers, it's BINGO time!

Join Kath Munrowd for a fun filled bingo evening. Great prizes are on offer and a fun and sociable evening will be had by all.

Car Park Donations:

The Club Committee would like to thank all surgery visitors who have contributed via the car park donations box (on the reception desk). If you park in the Club car park, then you can help us to keep it open for you, by donating each time you use it.

As well as our events, join us Monday – Saturday from 7:30 p.m. Our members' facilities include snooker, pool, skittles, and darts. You don't need to be ex-service to be a member; you can join for around 5p a day and membership includes annual Royal British Legion Membership, a quarterly magazine, and other benefits only available to members!

Don't forget if you're organising an event, take the headache out of bar planning and book our outside bar. For further details please pop in and chat with Trina or give us a call on 01886 880552. Alternatively, why not hire all or part of the club for your event?

To keep up to date with all our events, see future copies of the Newsletter, click on the village diary, subscribe to our newsletter, and find us on Facebook.

We look forward to welcoming you to all our events,

JOANNE
Club Secretary / Treasurer

HUGE PUMPKINS 2024 WE'RE BACK!!

Roll up, roll up!

After a year off, the Cradley Village Hall Grand Pumpkin Contest is back! So - all you green-fingered pumpkin enthusiasts - start prepping the soil (in trays indoors for now: not ready for planting outside yet!)

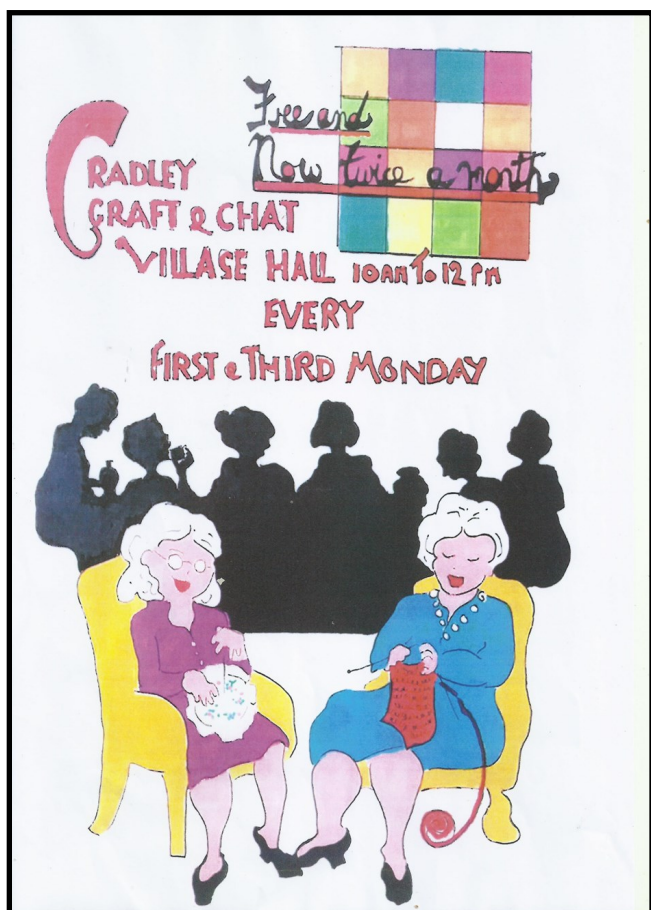
The new batch of Atlantic Giant seeds is on order, for delivery before the end of this month (February, at the time of writing), and your friendly neighbourhood seed seller will soon be pootling round the village on his trusty mobility-scooter, flogging packets of seeds to all and sundry at £10 a pop, with possible cash prizes at the end of October, of £30 (1st prize for the biggest), £20 (2nd prize) and £15 (3rd prize),

As well as the highly desirable and much lusted after egg-cup for the smallest, wimpiest and most miserable specimen of all.

And don't forget - if your number (on each seed envelope) is first out of the hat in our annual Lucky Draw, the CVH Grand Pumpkin Contest Chair (yours truly) still has the odd bottle of half-way decent claret for the winner!

And don't forget, too, all you Mighty Pumpkin veterans -- the last outright winners of the £30 1st prize consisted of a brother-and-sister act, both below the age of 10! And they're entering again this year! So - no pressure!

CHRIS LOWDER



CRADLEY VALENTINE QUIZ FEBRUARY 2024

As the mornings are lighter and the evenings longer, we know that summer is just around the corner – and that brings with it the Cradley 2024 Summer Fete. The planning has already started with an event to raise money to provide entertainment on the day.

A Valentine Quiz and Cream Tea was held in the Village Hall in February with more than 60 people in eleven teams, comprising 4, 5 or 6 members, ready to test their knowledge across 10 challenging rounds of questions.

The organisation for the afternoon, by Beth and Martin and their trusty supporters, was impeccable; tables were laid out with table cloths, crockery, cutlery and prepared answer sheets all in place for each team. Team names were even provided, to avoid that awkward discussion between team members that often precedes the start of a quiz! Reflecting the soon-to-be-served cream tea each team was randomly given the name of a cake, from Bakewell tarts to fruit cake and doughnuts to fairy cakes – what a good idea.

The ten rounds of questions were each based on a theme, enabling each round to include questions on many different topics including literature, geography, sport, music and general knowledge. For example, the first round was based on all things related to Valentines. Did you know that St Valentine is also the patron saint of Bee Keeping? Or can you remember the name of the Thomas Hardy heroine who sent a fateful Valentine? And in a round concerning Bears, I think we probably all knew that the bear who arrived from Peru was Paddington, but I'm not sure we all knew that the largest land-based bear is a Kodiak bear. As the saying goes – every day is a school day!

After five rounds we had a break for the cream tea. Each table was served a selection of sandwiches, a large range of scones and small cakes – and (a fabulous idea) tea-cup trifles. And, of course, a pot of tea along with a glass of pre-ordered Prosecco. The service and quality were as good as you would find anywhere. Well done and thank you to everyone involved.

The final five rounds stretched us a bit further and finally all the answers had been marked and checked, the totals added up – and checked! – and the winning team was announced. 'Flapjacks' won by a clear 10 points. The worthy winners were each presented with a bottle of wine.

The raffle prizes were drawn, thanks were given, and we set off for home, just as the sun was setting.

PAM MOSS

PS, Bathsheba Everdene sent that Valentine in Thomas Hardy's 'Far from the Madding Crowd'.

NOTE FROM JAN DAMPNEY

This event raised over £570 towards the costs of the Summer Fete. The organisers would like to thank all those who made cakes for the cream tea or helped behind the scenes. Your support was much appreciated.

POTHOLE OF THE MONTH

Have you ever wondered where the term pothole originated? I'm sure you have!

One theory is that pottery makers in medieval England would take advantage of the ruts that coach and wagon wheels gouged in the road. In search of cheap materials, the potters would dig into the ruts to reach clay deposits underneath. Teamsters driving their coaches over the damaged roads would refer to these holes as potholes. Personally, I think this story might well have been made up over a few pints of Butty Bach in the British Legion Club.

A more likely theory is that the word was born in the limestone landscapes of northern England. "The waters were once, in many places, some fifty feet above their present level," wrote a traveller to the Lake District in 1826, "for their action upon the rocks is plainly seen in the pot holes." A pothole is a hole formed through the wearing away of rock, sometimes by glacial erosion; but it could also refer to any deep, bowl-shaped hole of natural origin.

An alternative term for a pothole, especially in the United States, is chuck hole, or sometimes kettle hole. And in French, the term for a pothole in a road has nothing to do with either water or rocks: "nid-de-poule," or hen's nest. Those of you who rear chickens will immediately understand why. The Dutch are more prosaic – we just call them "gat in de weg", or hole in the road.

Finally, I expect that many of you don't realise that the Beatles even sang about potholes. The lyrics of "A Day in the Life" contain the words:

"I read the news today, oh boy

Four thousand holes in Blackburn, Lancashire

And though the holes were rather small

They had to count them all

Now they know how many holes it takes to fill The Albert Hall"

Apparently John Lennon was inspired by a newspaper article in the Daily Mail on 17 January 1967, describing how Blackburn Council had sent someone out to count all potholes in the city's roads. This they did, but the story goes that the report cost so much that, having identified all the potholes, they couldn't afford to repair any of them. Plus ça change!

TOM VAN VUREN



Notice is hereby given that the

ANNUAL MEETING

of

STORRIDGE VILLAGE HALL

will take place on

Tuesday 19 March 2024

at 7.30 p.m.

in the main hall

Please attend and support this valuable community resource

New committee members welcome

Refreshments will be provided

Contact jackie.white@hotmail.co.uk for more details

CRADLEY SURGERY

01886 880207

www.cradleysurgery.nhs.uk

Surgery hours:

Monday to Friday:
8.00 a.m. to 6.00 p.m.

Closed weekends and Bank Holidays

You can also ask a question online at <https://florey accurx.com/p/M81600> which will be read by a team member within 48hrs.

This might be about an admin issue, eg. about sick notes, repeat prescriptions etc; about a medical issue eg new or ongoing symptoms; or advice and guidance concerning conditions, symptoms and treatments.

If your GP practice is closed and you need more urgent help, visit [NHS 111 online](https://www.nhs.uk) or call 111 In an emergency call 999.

(see separate notice for Dispensary)



CRADLEY AND STORRIDGE PARISH COUNCIL

Dear Parishioners,

At our Council meeting on 9 January 2024, we considered matters associated with setting our final precept amount for 2024/25.

We had distributed copies of the Reporter before Christmas, which included an outline of a proposal to increase our precept from its current level of £60,000 to £100,000.

The increase would have enabled us to address inflationary cost pressures and to progress proposals to enhance the quality of our parish environment through the provision of: a mixed waste collection service which would replace the current volunteer-led dog waste bin system with a service that would re-provide the dog waste arrangements and combine them with a general waste / litter service; benches and planters at various location across the parish aimed at enhancing the environment and providing facilities for people to sit and enjoy our parish; enhancement of the highway's safety improvement works which we are progressing for the Bosbury Road and Cowleigh Road. These proposals include Speed Indicator Devices, which are shown to reduce speeds, along with road marking and signage improvements, also shown to reduce speed and improve driver awareness of dangers, such as the residential areas of the Cowleigh Road, and the Doctors' Surgery and the blind bend at the Old Crown on the Bosbury Road.

The proposals also continued to support our Clerk and his training to achieve CILCA qualifications which in turn would enable the Council to consider the merits of taking on the powers of competence under the Localism Act 2011.

We had asked for comments on these proposals and are grateful to those parishioners who offered us written responses, along with those who spoke to Councillors to share their views.

The number of written responses we received were very low so we are continuing to look at the ways in which we communicate with parishioners as we want to hear your views on how we can best support and improve our parish.

From the comments we did receive however, there were some common themes:

Please think again about the level of the precept increase proposed given the current economic challenges we all face.

We like your ambitions to improve the quality of the parish infrastructure but please explore all opportunities for these to be volunteer supported or delivered at more affordable costs.

We want you to continue to look at improving highway safety and like the idea of speed indicators.

There were some other good ideas mentioned in the comments that we will also try and follow up.

In relation to the common themes raised we have looked again at our budgets and reserves and have agreed to a precept of £65,000 which will be an increase of 8.3% which is more in line with inflation.

We will be able to progress some of our improvements next year while also phasing them in over a longer period. The rephasing will enable us to look more closely at alternative volunteer-led opportunities and explore more economic ways of delivering them.

Thank you for your input and thank you to those parishioners who are talking to us about possibly joining the Council. We hope that this will get more people involved, but we still need more people to consider joining the Council and helping us in maintaining and improving our parish for the enjoyment of all parishioners and visitors.

TERRY ROBSHAW
Chair of Council

FIRE SERVICE REVIEW HAVE YOUR SAY!

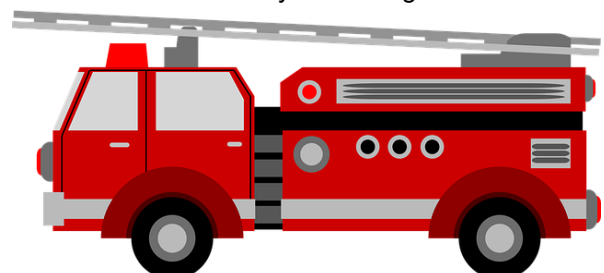
Hereford & Worcester Fire and Rescue Service (HWFRS) is launching a period of public consultation on a Resource Review.

Please log on to either www.hwfire.org.uk where the consultation link can be found or the link directly <https://www.hwfire.org.uk/your-right-to-know/consultation/>

This review is looking at the whole service, with a recommendation to remove a Fire Appliance from Malvern, Bromyard, Worcester, Hereford, Leominster, Redditch, Wyre Forest, and Droitwich.

Remember once it's gone, it's gone.

RICHARD JAMES
Clerk to Cradley & Storridge Parish Council



LENT LUNCHES 2024
COMMUNITY LUNCHES FOR CHARITY

Soup, bread, cheeses and a glass of water. Donations (of at least £5) are invited in aid of our chosen Lent charities for 2024:

'We Are Farming Minds'

an organisation countering stress and isolation among Herefordshire farmers
and

The Mtwara link, in Tanzania

supporting projects including a children's nursery

12.00 - 2.00 p.m.

(N.B. 12.30 on Tuesday 5th!)

Come and go as you wish.

Tuesday, 27 February - Cradley Church
Reception Area, Rectory Lane,
Cradley WR13 5EH: by invitation of
Di Roberts and Ian Bailey,
Cradley Churchwardens

Tuesday, 5 March - Storridge Village Hall,
Cowleigh Road / A4103, Storridge
WR13 5EY
by invitation of Storridge P.C.C.

Tuesday, 12 March - at Netherley Hall,
Mathon WR13 5LW,
on the Cradley to Mathon Road,
by invitation of Vivienne and Geoffrey Vos

Tuesday, 19 March - Beech Grove Farm,
Moorend Cross, Mathon, WR13 5PR,
by invitation of Geoffrey and Sally Pugh

SEE YOU THERE!

NEWSLETTER
COPY DEADLINE DATES
Advertisements/notices: 12th of the month
(Except December: 9th of the month)
Articles: 16th of the month
(Except December: 12th of the month)



MATHON GET TOGETHER

Who is it for? Anyone living in Mathon and the surrounding area.

When is it? Every Friday 10:30 a.m. - 12 noon

Where is it held? Mathon Parish Hall

This is open to everyone who fancies dropping in and enjoying a cup of tea or coffee with some biscuits and meeting friends old and new. It has been the venue for many a reunion.

FREE

Just turn up and enjoy



Blow away the
winter blues and
join us for



an

ACRYLIC TUITION DAY

with local artist

Ivan Maxwell Jones

On Wednesday, March 20th 10am – 3pm

at Storridge Village Hall

Cost: £23 (all materials included)

Everyone welcome, no experience required

If you would like to take part, please contact

Margaret on:

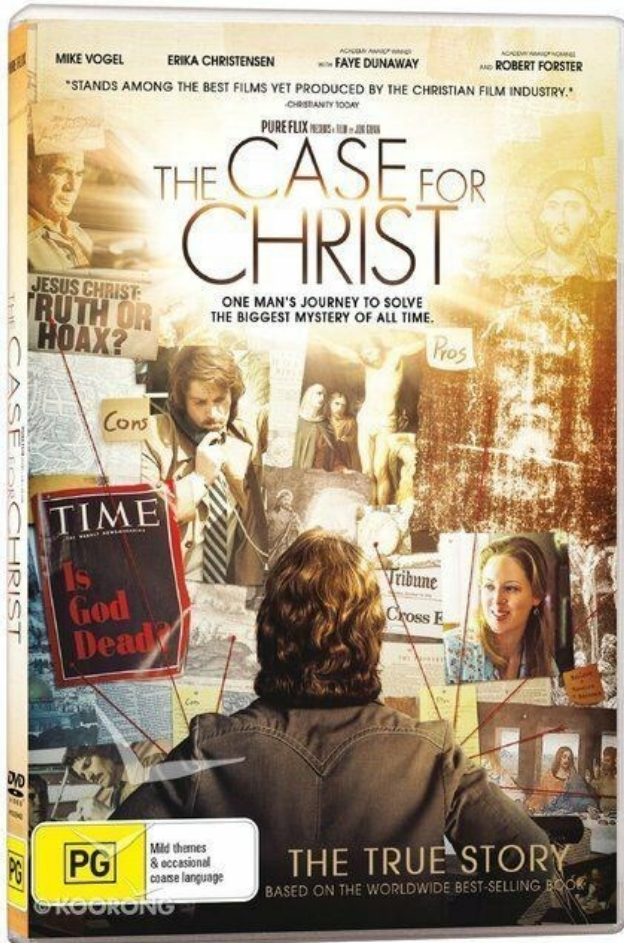
01684 569019

07936051604

or margaret.cross@ifdev.net

TRUTH OR FICTION?

Award-winning journalist, and Legal Editor on the much-respected Chicago Tribune, Lee Strobes, has hit a problem; his wife has become a Christian and now believes in Jesus. But he knows it's all rubbish, so he sets out to prove that the Bible's account of the life of Jesus, His death, and the resurrection, are all false and cannot be proven? But can they?



Questioning and cross-examining experts and leading figures from the major universities across the globe, he asks the questions that many people have, challenging the experts to prove to him that the Bible accounts of Jesus are truth or, as he is convinced, fiction.

Based on his worldwide best-selling book – The Case for Christ – This film tells the story of his investigation to find the truth.

The film 'The Case for Christ' will be shown at the Royal British Legion Club, Cradley presented by Christians Together in Cradley on Good Friday, March 29 at 7.30 p.m.

Running time is approx. 1hr 50 mins, and the bar will be open before, during, and after the film is shown.

Free to everyone who wants to come along.

No cost, no tickets, no pressure, just some answers.



The Probus Club of Ledbury

Ledbury Probus is a non-political non-religious club for retired and semi-retired professionals and businessmen in and around the thriving market town of Ledbury, Herefordshire, and enjoys a membership of over 60 men. We meet every Monday at the Burgage Hall, Ledbury, from 10 am to noon to socialise and enjoy a talk given by a wide variety of speakers on a huge range of subjects.

Our primary objective is to provide an informal meeting place for retired men for their mutual interest and entertainment. It is particularly intended to attract those who wish to make new friendships and find new interests, especially if recently moved into the district. After our meeting, many members wander into town to a local hostelry for a coffee, pint or lunch.

We have an illustrated talk every week, either from a member or given by an external speaker, covering every topic under the sun. Recent highlights include:

Belgian Refugees - The Ledbury connection

Trafalgar

The Highs and Lows of a North Sea Pipeline Engineer

Charlie Chaplin

James Webb Space Telescope

The Wit and Songs of Noel Coward

Captain Bligh and Mutiny

The Khyber Pass or bust

The Great Train Robbery 1963

Special Operations Executive

A journey through time and space

Talbot House

The Cotswold Canals

Fakes & Fortunes, Art & Antiques, Forgers & Dealers

The English Civil War in Bewdley, Kidderminster, Stourbridge and Worcester - and Ledbury!

Our talks generally last between 45 minutes to an hour, after which there is a lively question and answer session. Our meeting hall is equipped with modern audio-visual facilities and we also use radio mics for the speaker, and for audience participation during the following active Q&A session.

Following the talk on the SOE, our social secretary organised a visit to the Violette Szabo GC Museum at Wormelov. Violette was a secret agent working for the Special Operations Executive and as a result of her bravery was awarded the George Cross and the Croix du Guerre. Our Social Secretary also organises a monthly members' lunch rotating around local good pubs as well as annual Summer and Christmas Lunches where members' guests are invited.

So, if you are local to Ledbury and are a retired or semi-retired professional or businessman looking for intelligent conversation in a friendly, sociable group, why not drop by on a Monday morning and approach someone. You'll be pointed in the right direction and, if you like us, join us! Alternatively, visit our website www.ledburyprobus.org.uk for more information.

STORRIDGE, CRADLEY AND MATHON TEENY TOTS

**Teeny Tots Stay and Play Group
are looking for a volunteer!**

**Would you like to volunteer in your
local community?**

**Do you like working with young
children?**

We are looking for someone to help us make tea and toast during our sessions, on a flexible rota system, from 10:30 a.m. to 12 noon every other Thursday, during school term time (approximately 20 sessions a year).

We are a well-established toddler group and have been running for many years. We've recently moved to the Scout Hut in the heart of Cradley.

If you are free and keen to volunteer yourself, contact Rachel on 07790 890183.

JAMES LANCELOT TO GIVE ORGAN CONCERT AT CRADLEY!

James was Master of the Choristers and Cathedral Organist at Durham Cathedral from 1985 until 2017, and subsequently appointed Canon Organist Emeritus there. More recently he has acted as interim organist and director of music at Worcester Cathedral, and acting organist at New College, Oxford.

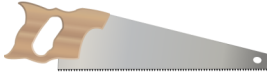
James is one of the foremost organists in the UK and we are extremely lucky that he will be coming to Cradley Church to give a one-hour concert on our lovely Nicholson organ on

Sunday 7 April at 3 p.m.

Tickets, which are £10 [under 18s free] and include a cream tea, will be available nearer the time from the village shop, and John Parsons: johnparsons1960@aol.com

TOP MARKS

- ◆ Carpentry
- ◆ Doors
- ◆ Flooring
- ◆ Kitchens
- ◆ Maintenance
- ◆ Windows



Contact Mark Hughes
07779 227 538

sparkyrhughes@btinternet.com



FULLY QUALIFIED LOCAL PLUMBING & HEATING
ENGINEER WITH OVER 20 YEARS EXPERIENCE

BATHROOMS
KITCHEN & OUTDOOR TAPS
RADIATOR UPGRADES
UNDERFLOOR HEATING
PRESSURISED CYLINDERS
GENERAL MAINTENANCE
FRIENDLY & RELIABLE

SCAN THE QR CODE
TO SEE MY WORK



@NCOMPTONPLUMBING

CONTACT: NIK COMPTON
MOBILE/WHATSAPP: 07743445942
LANDLINE: 01886886397

Whitewells Farm Cottages, Cradley

www.whitewellsfarm.co.uk

01886 880607

4* SC Holiday accommodation across 7 cottages.

Exclusive hire for wedding celebrations, family celebrations and friends get-togethers.

Short term accommodation while you find your perfect home. Discounts apply.

DEADLINE DATE FOR PAID ADVERTISEMENTS

Payment and advertisement to be received by 12th of the month prior to insertion.



Professional, approachable and offering home visits

Just contact Clare Malloy on
01684 563318

All areas of law covered

Elphick House, 287 Worcester Road, Malvern,
Worcestershire WR14 1AB • 01684 563318
www.paytons.co.uk • ask@paytons.co.uk



R.S.B. DECORATIONS

Professional Painting and Decorating



All aspects of Decorating undertaken

- Interiors & Exteriors
- Sash Windows
- Wooden flooring renovation
- Kitchen units hand painted
- Granite worktop repairs
- End of tenancy freshen-up
- Application of Epoxy floor paint for garages, cellars, sheds etc.
- Specialists in Black & White, Historic and Listed buildings

Est. 34 years

01905 821453 / 07851 225277
email: roger.bent@btinternet.com

LIGHTING | MIRRORS | FURNITURE

TABLE LAMPS
WALL LIGHTS
LAMP SHADES
FLOOR LAMPS
CEILING LIGHTS
TASK LAMPS



LIN AND SOO ARE HERE TO
HELP WITH ALL YOUR
LIGHTING REQUIREMENTS

REPAIR
RE-USE
RECYCLE



J.A.HALL
A.C.R. L.C.G.I. G.C.G.I. A.R.C.

FURNITURE RESTORATION AND REPAIRS

IF IT'S WOOD, WE CAN MAKE IT LOOK GOOD

JEFF AND ROB ARE HAPPY TO DISCUSS ALL
FURNITURE REPAIRS/RESTORATION

MALVERN STUDIOS
56 COWLEIGH ROAD, MALVERN WR14 1QD
01684 574913

www.malvernstudios.co.uk

R K Construction

- ◆ Extensions
- ◆ ground works
- ◆ general building
- ◆ maintenance
- ◆ landscaping works

plus intricate brickwork projects

City & Guilds trained with over 30 years experience

Tel: 07774 239932

Email: rkconstruction@btinternet.com

Paul J. Rowe

All Aspects of
PAINTING AND DECORATING

Experienced • Professional
Reliable • Friendly

07815 657472

**Or Facebook
P J Rowe Painting & Decorating**

Cecilia Hall Dance Centre

Classes in Great Malvern Tel: 07443 872188

ceciliahalldance@live.co.uk

ADULT DANCE/FITNESS

Mondays

10.40am and 2.30 pm	Ballet
11.45am	FitSteps
1.30pm and 8.00pm	Tap
5.45pm	Grade 6 Ballet
9.00pm	Modern

Tuesdays

9.20am	Pilates
10.30am and 3.00pm	Tap
11.30am	FitSteps
1.50pm and 7.00pm	Ballet

Wednesdays

9.10am	Pilates
10.15am	Modern
11.20am and 1.45pm	Ballet
12.30pm	Flamenco
2.50pm	Pilates
6.45pm	Ballet

Thursdays

10.00am	FitSteps
11.15am and 7.30pm	Ballet
2.15pm	Silver Swans Ballet
6.30pm	Zumba

Fridays

10.30am	Ballet
11.45am	FitSteps

Sundays

8.45am	Pilates
10.00am	FitSteps
11.15am	Tap

Pussy Cat Cattery



**Luxury Boarding Cattery in an idyllic,
safe and calm location for cats only.**

**Seville Cottage,
Suckley, Worcester,
WR6 5EQ**

www.pussycatcattery.co.uk

01886 884867

Viewings are most welcome

www.facebook.com/SevilleCottage



MESSAGE AND/OR WELLBEING COACHING

MASSAGE for your painful
back/shoulders/legs/arms/feet

Plus COACHING enables you to
help yourself when suffering from
Chronic on-going conditions

Relax with Aromatherapy oils

**Create a more comfortable life and feel
more in control of your symptoms**

CALL NOW - FREE 30 min assessment

FRAN DOIDGE fran@coachingforwellbeing.co.uk

www.coachingforwellbeing.co.uk

01886 880100/07974 400575

HOLIDAY PET FEEDING SERVICE

Do you need someone to feed your pet
when you are away? Whether it is just for a
single visit or for longer periods

Call Sarah on 01886 880727 to
discuss your requirements



Herefordshire and Worcestershire's
friendliest home care and live-in care
provider.



Live-in Care | Visiting Care | Respite | Companionship

Kemble at Home is a multi award-winning,
local, family company providing
OUTSTANDING Live-in Care for people in
Herefordshire and Worcestershire.

www.kembleathome.co.uk

Call Kelly Hennessey-Ford on 01432 382017

Email: kelly.hf@kembleathome.co.uk



All traditional garden services

Design consultation

Royal Horticultural Society trained

Fully insured

Full and half day slots available

Mobile: 07786 382924

Email: aw.matthew@gmail.com

Malvern Computers



Repair, maintain, install and advise

01684 561849 or 07852 474673

malverncomputers@talktalk.net

www.malvern-computers.co.uk

Domestic & Commercial
Interior & Exterior

From a Refresh to a Restoration
the highest standards achieved to
enhance your home and living experience

Painting and Decorating
Drylining and Plastering
Window Restoration
New Builds and Offices
Kitchen and Furniture Modernisation
Tiling



*Painting
& Plastering*

Please call, email or message for a quote

07815 295557

✉ contact@dmproperty.services  [@dmpropertyservices9](https://www.facebook.com/dmpropertyservices9)



M A WILLIAMS Electrical Services Ltd
— Friendly | Professional | Reliable —

Fully Qualified Local Electrician
for all your Household Electrical needs.

Also Heavily Experienced in Commercial and
Industrial Electrics, as well as Testing.

Now also undertake solar panel installation and
car charger installation.

Please do not hesitate to contact me, Mark
Williams, for a free quote.

Which trusted



www.mawilliamselectrical.co.uk
mark@mawilliamselectrical.co.uk
Tel: 07966 984893

SPORTS THERAPY MASSAGE

Backache, Stiff Neck, Painful Knees, Arms or Legs?
Don't suffer; call and book a sports therapy massage,
a remedial massage that can give pain relief
to those aching muscles

JULIA ADAMS – Holistic Therapist
01886 832641/07968 726651

Sherridge Road, Leigh Sinton
*Bowen Technique, Aromatherapy, Indian Head Massage
and Sports Therapy Massage*

Learn to play...

Saxophone, Clarinet, Flute, Trumpet/Cornet

All ages welcome

Contact: Baz
01886 880985/07971 247310
barry.strange1@btopenworld.com



OPEN
Wednesday - Saturday
10am-5pm
Sundays & Bank Hols
11am-3pm

Wykeham Gardens
PLANT CENTRE

We grow a range of garden favourites
alongside more unusual varieties,
plus plants for shade.

LOCALLY GROWN

WILDLIFE FRIENDLY

WE ALSO STOCK:
Pots & Containers, Seeds,
Tools, Composts, Wildlife Items
& Wild Bird Food

Stocklist available on our website

The Yard at Crowcroft,
Leigh Sinton, Nr Malvern WR13 5ED

01684 578381 | 07976 444618
www.wykehamgardens.com



SIMON THE PLASTERER

15 years experience
Quick and Reliable
No Job Too Small
Free Quotes

Telephone 01886 880399
Mobile 07599 671911

Kiln Dried Hardwood FIREWOOD

Ready To Burn certified



01531 825236

Red Kite

Pest Control

Combining Tradition and Innovation

For all your local Pest Control requirements

All INSECT, RODENT and

WILDLIFE Pests

Free Advice, free no obligation Quotations

-----ALSO-----

TAXIDERMISTRY

I'm interested in purchasing
unwanted pieces of
taxidermy
(for private collection)

Telephone Andy Staples on:
07977 044987 / 01886 832730

hair and beauty
at the park



Andrea, Liz and Jeanette
welcome you to Hair and
Beauty at the Park. A small
friendly hair & beauty salon
situated in Malvern with free
parking and online booking



01684 770439

hairandbeautyatthepark.co.uk

Clarence Park, 415 Worcester Road
Malvern, WR14 1PP

Annie Henderson

Soft Furnishings

Curtains, blinds, loose covers and
home accessories made using your
own fabric

Alteration service both for soft
furnishings and clothing also available

City and Guilds qualified

For a free quotation please contact:

01432 820125

annie@needleseye.me.uk

WORCESTER BESPOKE JOINERY

Specialist in purpose made joinery
Built in furniture made and fitted
Windows, Doors, Cupboards, Kitchens
Built in wardrobes & many other items

Call Ian on 07941 568183

or 01905 421493

Email: ianplante@gmail.com

 **H & J** 
Pest Control Services

**EXPERIENCED/ RELIABLE/AFFORDABLE/ALL PESTS TREATED
FULLY INSURED • BPCA/RSPH II QUALIFIED**

Domestic Properties and Commercial Contracts undertaken
We treat Rats, Mice, Wasps from £50
Hornets, Fleas, Squirrels, Flies, Moles, Bed Bugs, Rabbits, Birds, Carpet
Moths/Beetles, Ants...

INSECTS/RODENTS/MOLES

Contact Henry Yardley: 07889 782933
info@hjpc.co.uk www.hjpc.co.uk

Cecilia Hall Dance Centre
Classes in Great Malvern Text: 07443 872188
ceciliahalldance@live.co.uk

CHILDREN'S CLASSES AVAILABLE

Ballet, Modern, Tap Dance
Musical Theatre & Drama
Performance Groups
Regular shows
R.A.D & I.S.T.D Exams

THE BOSBURY BARBERS

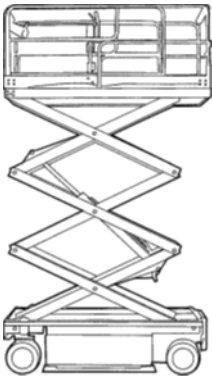
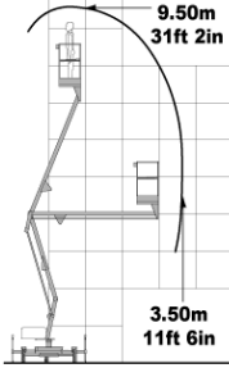
Opening Hours

Monday	9.00 a.m. ~ 5.00 p.m.
Tuesday	CLOSED
Wednesday	9.00 a.m. ~ 1.00 p.m.
Thursday	9.00 a.m. ~ 5.00 p.m.
Friday	1.00 p.m. ~ 6.30 p.m.
Saturday	8.30 a.m. ~ 12.30 p.m.

Free Parking & Wheelchair Access
Discounts for Pensioners & Children

BY APPOINTMENT ONLY
Tel: 01531 640799
www.thebosburybarbers.co.uk

ACCESS LIFT HIRE
www.accesslifthireworcester.co.uk

Ideal for flue lining, tree pruning, guttering, painting, aerial installations and internal factory works, etc.

With working heights of up to 9.50m
Able to fit through 2ft 6in openings
All have current LOLER certificates

With hire rates from £65 for half day call:
Louise 07968 963359 or Chris 07710 489575

info@accesslifthireworcester.co.uk
www.accesslifthireworcester.co.uk

**SHAUN'S TYRES,
BATTERIES AND EXHAUSTS**

**01684 575480
07557 105233**

UNIT 1 SPRING COURT, SPRING LANE SOUTH
MALVERN, WORCESTERSHIRE
WR14 1AT

30 YEARS OF RELIABLE AND EFFICIENT SERVICE

CHIMNEY SWEEP
Andy Johnson

Certificates Issued
Evening / Weekend Sweeps
Stove maintenance

**Tel: 01886 821933
07798 790913**



 andysweeps1@gmail.com 



THREE VILLAGES DIARY OF EVENTS 2024

Please let us know if you are planning an event or resuming your activities so we can include your date(s)
* denotes important changes to times or dates.

MARCH

Fri	1	10.30 a.m.	Mathon Get Together. Mathon Parish Hall. Until 12.00 noon.
Sat	2	8.30 p.m.	Quiz Night. Royal British Legion Club.
Mon	4	10.00 a.m.	Craft and Chat. Cradley Village Hall. Until 12.00 noon.
Mon	4	2.00 p.m.	Evergreen Club meeting
Tues	5	12.00 noon	Lent Lunch. Soup, Bread and Cheese. Storridge Village Hall. Until 2.00 p.m. (Donations)
Weds	6	7.30 p.m.	Lent Talks. 'Embrace the Middle East'. (FOC – Donations)
Thurs	7	10.00 a.m.	Exercise Class. Mathon Parish Hall. Until 11.00 a.m.
Thurs	7	7.30 p.m.	Cradley WI Monthly meeting.
Thurs	7	10.30 a.m.	Teeny Tots Play Group. Cradley Scout Hut. Until 12 noon.
Thurs	7	2.30 p.m.	Cradley Wild meeting. Cradley Village Hall
Thurs	7	7.30 p.m.	Cradley WI Annual meeting.
Fri	8	10.30 a.m.	Mathon Get Together. Mathon Parish Hall. Until 12.00 noon.
Sat	9	10.00 a.m.	Tabletop Sale. Royal British Legion Club. Until 12.00 noon
Sat	9	12.00 noon	Rugby Six Nations. England vs Ireland. Royal British Legion Club. KO 4.15 p.m.
Tues	12	*12.30 p.m.	Lent Lunch. Soup, Bread and Cheese.. Netherley Hall, Mathon. Until 2.00 p.m.(Donations) NEWSLETTER DEADLINE for copy of Event Notices and New Advertisements (hard copies to postbox on wall of the Village Store, Bosbury Road, Cradley)
Tues	12	*12.30 p.m.	
Weds	13	2.00 p.m.	Cradley, Mathon, Storridge Art Group meeting. Until 4.00 p.m.
Weds	13	7.30 p.m.	Lent Talks. Revd Hugh Wakeling: 'Our link with Mtwara, Tanzania' Cradley Village Hall. (FOC – Donations.)
Thurs	14	10.00 a.m.	Exercise Class. Mathon Parish Hall. Until 11.00 a.m.
Thurs	14	10.30 a.m.	Teeny Tots Play Group. Cradley Scout Hut. Until 12.00 noon.
Thurs	14	7.30 p.m.	Storridge WI. Alan Soper talk: 'Slow Journey Westbound'. Storridge Village Hall.
Fri	15	10.30 a.m.	Mathon Get Together. Mathon Parish Hall. Until 12.00 noon.
Sat	16	*12.30 p.m.	NEWSLETTER DEADLINE for Articles and Diary entries (hard copies to postbox on wall of the Village Store, Bosbury Road, Cradley).
Sat	16	8.00 p.m.	Rugby Six Nations. France vs England. Royal British Legion Club. KO 8.00 p.m.
Mon	18	10.00 a.m.	Craft and Chat. Cradley Village Hall. Until 12.00 noon.
Mon	18	11.30 a.m.	Ellie Chowns Ward Surgery, Cradley Village Hall, until 1.00 p.m.
Tues	19	12.00 noon	Lent Lunch. Soup, Bread and Cheese. Beech Grove Farm, Moored Cross, Mathon. Until 2.00 p.m. (Donations).
Tues	19	7.30 p.m.	Annual Meeting of Storridge Village Hall.
Weds	20	10.00 a.m.	Acrylic Workshop. Cradley, Mathon & Storridge Art Group. Storridge Village Hall. Until 3p.m.
Thurs	21	10.00 a.m.	Exercise Class. Mathon Parish Hall. Until 11.00 a.m.
Thurs	21	10.30 a.m.	Teeny Tots Play Group. Cradley Scout Hut. Until 12.00 noon.
Fri	22	10.30 a.m.	Mathon Get Together. Mathon Parish Hall. Until 12.00 noon.
Weds	27	2.00 p.m.	Cradley, Mathon, Storridge Art Group meeting. Until 4.00 p.m.
Weds	27	7.30 p.m.	Lent Talks. Sam Stables: 'We are Farming Minds'. (FOC – Donations.)
Thurs	28	10.00 a.m.	Exercise Class. Mathon Parish Hall. Until 11.00 a.m.
Thurs	28	10.30 a.m.	Teeny Tots Play Group. Cradley Scout Hut. Until 12.00 noon.
Thurs	28	10.30 a.m.	The Leys Coffee Stop, until 12.00 noon.
Fri	29	10.30 a.m.	Mathon Get Together. Mathon Parish Hall. Until 12.00 noon.
Fri	29	7.30 p.m.	Christians Together in Cradley. Film "The Case for Christ". Royal British Legion Club.
Sat	30	8.00 p.m.	Bingo! Royal British Legion Club.

Please keep your articles, event notices, diary dates and reports coming in. Please, whenever possible, email your contributions to the editorial team at: editors@cmsnewsletter.org.uk.

Please send all advertising bookings and enquiries to the advertising team at: adverts@cmsnewsletter.org.uk

Documents emailed to the team should be in Word or JPEG format. Hard copies can be left in the *Newsletter's* mailbox fixed to the wall of the old village shop in Bosbury Road, Cradley. Every effort is made to verify the authenticity of statements made in the *Newsletter*, but neither the Editor nor anyone connected with its production and distribution can accept any responsibility for errors or inaccuracies, or for the opinions expressed within it. Neither do they guarantee or endorse the services and products advertised.

The *Cradley, Mathon & Storridge Newsletter* uses personal data for the purpose of managing the *Newsletter*, its subscriptions, distribution and advertising, the contributions submitted and its finances. Data may be retained for up to 7 years for accounts and tax purposes and for longer where required by law. If you would like to find out more about how we use your personal data or want to see a copy of the information about you that we hold please contact the Newsletter team on editors@cmsnewsletter.org.uk

Editorial Team: Robert Colledge, Antonia Musgrove, Ian Thompson.
The editor of the April issue will be Ian Thompson.
Compilation Team: Pauline Diplock, Patrick Fleming, Jackie White.

Looking for a place
to board your cat?



Cat'll Do Nicely

- Spacious, heated suites
- 24/7 CCTV
- Collection & drop-off service
- Individual needs catered for
- Meets all Defra higher standards

To book, call
01432 683459
or **07359 275841**

Visit catlldonically.co.uk

Coney Croft, Fromes Hill, HR8 1HT



Find us on
Facebook



Follow us on
Instagram

cleanian
Clearly the Cleanest

Carpet and Upholstery Cleaning Specialist

SPECIAL OFFER

£175 Three piece suite

IAN JONES HOME FARM COTTAGE
Home..... 01531 566012 EASTNOR
Mobile..... 07831 332226 LEDBURY
Email..... clearlythecleanestian@gmail.com HR9 1RD



Give your home a fresh Look,
Touch, See, Smell and Feel the difference.

F. W. SPILSBURY

GEORGIA A. SPILSBURY

Malvern's longest established
Independent Funeral Director
24-hour service
Private Chapel of Rest

12 Upper Howsell Road, Malvern, WR14 1TL

Tel. 01684 892777

www.fwspilsbury.co.uk
fwspilsbury@gmail.com

ANDREW JELLEY OPTICIANS
www.andrewjelleyopticians.co.uk

**YOUR LOCAL
OPTICIAN**

34-36 High Street, Bromyard, Herefordshire

01885 488259

KEVIN ROBERTS



DOMESTIC PLUMBING
BATHROOMS
CENTRAL HEATING
TAPS AND WASHERS
OIL BOILER SERVICES
OFTEC REGISTERED
UNVENTED REGISTERED

TELEPHONE: 01886 832843 MOBILE: 07976 879719
24 HOUR SERVICE

**Simon Thompson
Locksmith**

Local trustworthy service by
retired police officer.



Doors opened, new locks fitted
Upvc doors repaired, free security reviews
Fixed prices and all work guaranteed.

Please call **01886 880956** or **07957 109003**
www.safehouselocksmiths.co.uk

**CURTAIN MAKER
SUE BRADFORD**

An Experienced Seamstress
with a sense of humour

01886 833522
07812 837936

To advertise in the Newsletter please
contact

Jan on 01886 880316

or email

adverts@cmsnewsletter.org.uk

HADLEY & SONS, RUNDLEMEAD, MATHON

Tel: 01886 880524, or Mobile: 07969 064304



- * Forestry and fencing contractors
- * Haulage and mechanical excavation
- * Round timber purchased

- * **Timber cut to size**
- * Tree advisory service
- * Tree surgery specialists



* **Firewood logs for sale**



WS5274/00001

* **Saw mills**

Acer Tree Services (Hereford) Ltd

Free no obligation quotes for all of your
Tree work requirements



Tel: 01432 860839
Mob: 07774 134577

Joe.brandt@btconnect.com

24hr Emergency call out service

Fully Insured, Qualified and Audited
regularly

Experienced – Knowledgeable – Professional

www.acertreeservices.com



- Plumbing
- Bathrooms
- Kitchens
- Tiling
- Maintenance
- General Building Work

Friendly, Honest and Reliable
Service.

Call Tim Diplock on
07930 500955

timdiplock@gmail.com

Three Counties Chimney Sweep



- * All Chimneys and Flues Swept
- * Cowl and Pot Fitting Service
- * Stove and Liner Installations
- * Nest and Blockage Removal
- * Fully Insured

Call Ian on:

Tel: 01684 891005
Mob: 07403 277 436



Your Local
Accredited
Chimney
Sweep



LUXURY VILLA TO RENT

In DALYAN, one of the most beautiful
places in Turkey

Sleeps 8

Four double ensuite bedrooms with balconies
Large private pool



www.ourvillainturkey.co.uk

Pauline Diplock
01886 880078