

CRADLEY

MATHON

STORRIDGE

NEWSLETTER



Price: £1.25

(or 12 copies for just £10 by subscription)

February 2024

Looking for a place
to board your cat?



Cat'll Do Nicely

- Spacious, heated suites
- 24/7 CCTV
- Collection & drop-off service
- Individual needs catered for
- Meets all Defra higher standards

To book, call
01432 683459
or **07359 275841**

Visit catlldonically.co.uk

Coney Craft, Fromes Hill, HR8 1HT



Find us on
Facebook



Follow us on
Instagram

cleanian
Clearly the Cleanest

Carpet and Upholstery Cleaning Specialist

SPECIAL OFFER

£175 Three piece suite

IAN JONES HOME FARM COTTAGE
Home..... 01531 566012 EASTNOR
Mobile..... 07831 332226 LEDBURY
Email..... clearlythecleanestian@gmail.com HR9 1RD



Give your home a fresh Look.
Touch, See, Smell and Feel the difference.

F. W. SPILSBURY

GEORGIA A. SPILSBURY

Malvern's longest established
Independent Funeral Director
24-hour service
Private Chapel of Rest

12 Upper Howsell Road, Malvern, WR14 1TL

Tel. 01684 892777

www.fwspilbury.co.uk
fwspilbury@gmail.com

ANDREW JELLEY OPTICIANS
www.andrewjelleyopticians.co.uk

**YOUR LOCAL
OPTICIAN**

3A-36 High Street, Bromyard, Herefordshire

01885 488259

KEVIN ROBERTS



DOMESTIC PLUMBING
BATHROOMS
CENTRAL HEATING
TAPS AND WASHERS
OIL BOILER SERVICES
OFTEC REGISTERED
UNVENTED REGISTERED

TELEPHONE: 01886 832843 MOBILE: 07976 879719
24 HOUR SERVICE

**Simon Thompson
Locksmith**

Local trustworthy service by
retired police officer.



Doors opened, new locks fitted
Upvc doors repaired, free security reviews
Fixed prices and all work guaranteed.

Please call **01886 880956** or **07957 109003**
www.safehouselocksmiths.co.uk

**WANT TO CONTACT A NEWSLETTER
DISTRIBUTOR?**

Perhaps you would like an extra copy,
or have had a problem with the delivery?

Then please ring:

Lin Brighton for Cradley East and North:
01886 880425

Judith Aldridge for Cradley West: 01886 880953

Joy Perkins for Mathon : 01886 880301
Mary McQueen for Storrige : 01886 884063

To advertise in the Newsletter please
contact

Jan on 01886 880316

or email

adverts@cmsnewsletter.org.uk



£10.00 for 12 issues (or £1.25 per single copy)

FEBRUARY 2024

THE TIME OF THE SINGING OF BIRDS

A reading which couples often choose for their weddings is a passage which contains the words: 'The flowers appear upon the earth. The time of the singing of birds has come.' It is from the Old Testament book known as the Song of Songs and it describes the coming of the spring, when the breath of God renews the face of the earth, just as the breath of love renews and transforms our lives. February is of course the month of St. Valentine's Day, and this year, by chance, St. Valentine's Day on 14th February coincides with Ash Wednesday, the first day of Lent - traditionally the day when the birds choose their mates, the first day of spring. The very word 'Lent' is, as we have noted before, an Old English word for 'Spring': so that it is indeed 'the time of the singing of birds.' Perhaps after St. Valentine's Day we may receive more inquiries about weddings at Cradley, Mathon or Storridge in 2024, in addition to those which are already in place! The Ash Wednesday service for the beginning of Lent is at Cradley on 14th at 10.00 a.m.

Easter this year falls relatively early, on Sunday 31 March. As a result, the forty-day season of Lent also falls early, allowing all too little time to make the plans we like to make in our parishes here for the keeping of Lent as a season of preparation for Easter.

The first of our customary series of **Lent Lunches** is at least in place- **Tuesday 27 February in the reception area at Cradley Church, between 12.00 and 2.00 p.m.** Others will follow in each parish during March, though details are yet to be finalised - **provisionally, Tuesday 5 March, at Storridge Village Hall; Tuesday 12 March, again in Cradley; and Tuesday 19 March in Mathon, at a venue yet to be confirmed.** We invite you to come and help yourself to a simple lunch with a choice of soups, bread and a choice of cheeses, in return for a donation to our designated Lent charities. This year we plan to divide the proceeds between one 'home' charity - the Farming Community Network, active locally in support of the farming community - and one overseas, this year the long-standing Ledbury Deanery link with Mtwara in Tanzania.

Please watch out for confirmation of further details in the March edition of the Newsletter, and in all the usual places - on our pew sheets, e-news and parish websites.

Your Rector

ROBERT WARD

| | |
|-------------------------------|--|
| <i>Edition Editor:</i> | Robert Colledge, telephone 01886 880782 |
| <i>Rector:</i> | The Revd Robert Ward, telephone 01886 880438 |
| <i>Treasurer:</i> | Emily Hodkin, telephone 07811 905492 |
| <i>Advertising:</i> | Jan Dampney, telephone 01886 880316 |

**Cover photo this month taken by
Andy Richardson**

Church Services in February 2024

*Please check our pew sheets and parish websites to confirm details of live-streamed services nearer the time of each in case details change. *Denotes new time or service format.*

| | | | |
|--|-------------------|---|-----------|
| SUNDAY | 9:30 a.m. | Live-streamed Service (Lay led) | Benefice |
| 4 February 2024 | 9:30 a.m. | Parish Communion (BCP) | Mathon |
| Candlemas Sunday / Second Before Lent | 10:45 a.m. | Church 4 All | Cradley |
| | *4:00 p.m. | Evensong | StorrIDGE |
| Wednesday | 10:00 a.m. | Holy Communion (said) | Cradley |
| 7 February 2024 | 6:30 p.m. | Live-streamed Evening Prayer from the Rectory | Benefice |
| SUNDAY | 9:30 a.m. | Mattins | StorrIDGE |
| 11 February 2024 | 10:45 a.m. | Live-streamed Family Communion | Cradley |
| First before Lent | 6:00 p.m. | Evensong | Mathon |
| Wednesday | 10:00 a.m. | Holy Communion (said) for the beginning of Lent | Cradley |
| 14 February 2024 | 6:30 p.m. | Live-streamed Evening Prayer from the Rectory | Benefice |
| Ash Wednesday | 9:30 a.m. | Mattins - Lay led | Mathon |
| SUNDAY | 9:30 a.m. | Holy Communion | StorrIDGE |
| 18 February 2024 | 10:45 a.m. | Morning Service (Lay led) | Cradley |
| Lent 1 | 11:00 a.m. | Live-streamed morning service | Benefice |
| Wednesday | 10:00 a.m. | Holy Communion (said) | Cradley |
| 21 February 2024 | 6:30 p.m. | Live-streamed Evening Prayer from the Rectory | Benefice |
| | 9:30 a.m. | Shorter Mattins | Mathon |
| SUNDAY | 9:30 a.m. | Mattins - Lay led | StorrIDGE |
| 25 February 2024 | 10:45 a.m. | Parish Communion | Cradley |
| Lent 2 | 6:00 p.m. | Live-streamed service of Evening Prayer | Benefice |
| Wednesday | 10:00 a.m. | Holy Communion (said) | Cradley |
| 28 February 2024 | | | |

Church Services in March 2024

| | | | |
|---------------------|------------|---|-----------|
| | 9:30 a.m. | Live-streamed Service (Lay led) | Benefice |
| SUNDAY | 9:30 a.m. | Parish Communion (BCP) | Mathon |
| 3 March 2024 | 10:45 a.m. | Family Communion <i>*(N.B. 'Church 4 All' switched to next Sunday, 10 March, for Mothering Sunday)</i> | Cradley |
| Lent 3 | 4:00 p.m. | Evensong | StorrIDGE |

From The Registers

Weddings

31 December 2023 Thomas Robert Brash & Jessica Caroline Forsyth Cradley

Funerals

18 December 2023 Daphne June Beard Worcester Crematorium & StorrIDGE Church

CRADLEY CHAPEL

(Countess of Huntingdon's Connexion)



Services each Sunday at
10.30 a.m.

~~~~~  
Communion Service  
on the first Sunday of each month

~~~~~  
A very warm welcome awaits you.



Welcome to the New Year as we start our monthly meetings. Our first meeting in 2024 will be at Roy and Jo Smallwood's, Oakleigh Lodge, Chapel Lane, Cradley starting as usual at 7.30 p.m. The Speaker will be Jerry Reakes-Williams who will be sharing his involvement with Street Pastors and will be showing a short video.

We look forward to seeing new and old members in this New Year.

If anyone would like information about "Christians in Cradley" contact Roy Smallwood 01886 880858 or Alan Jameison 01684 592600.

If anyone requires transport, contact Alan Jameison and we will try to arrange this for you.

This coming Easter (29 March) we will be arranging a film at the Royal British Legion Club

Watch out for details.

ALAN JAMEISON



MATHON CHURCH MATTERS

It was good to see such a large congregation at the service of Christmas Carols by Candlelight on Sunday 17 December, including a number of children. Thanks are expressed to the Men of Mathon who sang the opening carol God Rest Ye Merry Gentlemen.

Thanks go to Nick Walker for organising the singing, to those who supplied the mulled wine and mince pies and to those who decorated the church so beautifully. It was very enjoyable.

It was also pleasing to see so many children in church at the Christmas morning service.

SP

MATHON CHURCH

READERS

| | | |
|-------------|-------------|------------|
| 4 February | Mrs Cutler | Mr Crouch |
| 11 February | Mrs Seymour | Mrs Crouch |
| 18 February | Mrs Pugh | Mrs Cutler |
| 25 February | Mr Crouch | Mr Walker |
| 3 March | Mr Walker | Mrs Pugh |

SIDESMEN

| | |
|-------------|------------|
| 4 February | Mr Crouch |
| 11 February | Mrs Pugh |
| 18 February | Mr Crouch |
| 25 February | Mrs Cutler |
| 3 March | Mrs Pugh |

STORRIDGE CHURCH FLOWERS

There will be no Flower Rota until April, due to Lent beginning in February and continuing through March.



NEWSLETTER EMAIL ADDRESSES

Send articles and enquiries to

Editors@cmsnewsletter.org.uk

Send advertisements and notices to

Adverts@cmsnewsletter.org.uk

TALES OF THE RIVERBANK OR CRADLEY BROOK

On 19 October 2023 a presentation was given to the Cradley Women's Institute Open Meeting entitled "Citizen Science and Your Clean River Campaign" in Cradley Village Hall.

Part of this presentation considered the water quality of Cradley Brook and this is now summarised, as follows:

Cradley Brook was polluted by sewage a total of 182 times in 2022 from Colwall's STW (Sewage Treatment Works) and CSO (Combined Sewer Overflow)*. This equates to almost 2.7 months of continuous waste flow.

The following results were obtained, following water sampling, by myself prior to the presentation.

The phosphate levels at King's Bridge, Cradley were 1.15ppm (parts per million) and 1.31ppm on 6 and 9 October 2023, respectively. As a comparison both of these values were only just outside the Top 10 of highest levels out of over 500 sampling points within the WyeViz, Wye Alliance Science Dashboard for the River Wye catchment area.

The phosphate level slightly downstream of the Colwall STW on 9 October was 3.74ppm** comfortably above the highest value in the, above referenced, Top 10 of 2.50ppm.

Other significant points to note by comparing the Cradley Brook water quality before and after the Colwall STW include:

A significant increase in water temperature (14.5 to 17.3 deg C)

A significant increase in conductivity (604 to 917 microsiemens/cm)

A significant increase in nitrate (1 to 20ppm)

Elevated phosphate levels in water courses can be due to a number of sources of pollution including wastewater, agriculture, and other smaller contributions such as domestic septic tanks and surface run off. The results presented here strongly point to the cause for Cradley Brook being wastewater.

High phosphate levels cause increased growth of algae and large aquatic plants, which can result in decreased levels of dissolved oxygen – a process called eutrophication. Reduced oxygen levels kill aquatic life including fish. High levels of phosphate can also lead to algal blooms that produce algal toxins which can be harmful to human and animal health.

Essentially the high phosphate levels "kill" the water course and, as everyone can see for themselves, Cradley Brook is pretty much dead.

Hopefully, or should I say sadly, more to come in the coming months....

*<https://top-of-the-poops.org/waterway/severn-trent-water/cradley-brook>

**The phosphate level before the Colwall STW was 0.43ppm.

DR. IAN HAGUE,
Citizen Scientist & Save the Wye Committee Member

EVERGREEN CLUB

Hi everyone. Well at least the rain has stopped which is a blessing. Now we are plunged into a cold spell of weather which I do prefer especially when there's a bit of blue sky and some sunshine.

I must say how much Roger and I enjoyed the New Year Supper as did about 60 other people at Storridge village hall. A wonderful meal was served and a very pleasant evening afterwards. A huge thank you to all the ladies and gentlemen who prepared the food and entertained us.

Our first meeting of the year on Monday 8 January was unfortunately low on numbers, but I suppose this was expected as quite a few members were poorly and the weather was very cold.

However, the few who did come enjoyed a nice glass of sherry and a taste of genuine Turkish Delight (from Turkey), both generously provided by Jean Horne.

We participated in a session of bingo which everyone enjoyed for a change with some "naughty but nice" chocolate prizes.

A lovely tea was provided by Jacky and Sue, tuna and sweetcorn sandwiches, mince pies, and fruit cake, and everyone enjoyed "seconds".

After a good raffle done by Jo, and some good socialising after the Christmas break, we finished the meeting a little earlier than usual so that everyone could get home before the early darkness descended. Our best wishes to John Davies who is now home from the care home in the capable hands of Janet and carers. We hope to see them back at club in the spring.

Also good wishes to Jan Mathis, who has also been poorly over the Christmas break, and Elsie, recovering from surgery on her knee.

A little thought to finish on:

"Common sense is like deodorant. The people who need it most, don't use it"

Keep safe, keep warm, speak soon lots of love.

Our next meeting will be on Monday, 19 January at 2 pm at Storridge Village Hall. Do come and join us. You'd be very welcome.

CHRIS ORFORD
Club Leader
(01886) 880387

NEWSLETTER
COPY DEADLINE DATES
Advertisements/notices: 12th of the month
(Except December: 9th of the month)
Articles: 16th of the month
(Except December: 12th of the month)



IN DEFENSE OF MOLES SHOULD WE WELCOME MOLES IN OUR GARDENS



It's during winter and into spring that we really notice moles. Or rather, we notice mole hills – moles are mostly subterranean and are rarely seen above ground. Piles of freshly dug earth appear in fields and gardens, breaking out across lawns and in flower beds. Many a gardener (and professional mole catcher) views these soft piles of soil as an enemy invasion and will not rest until the ground is flat once more and the small mammal responsible is dealt with. It is the misfortune of this otherwise blameless creature that its progress in search of worms results in heaps of earth. Their crime is to make gardens look a bit messy.

Rather than see these industrious mammals as pests, I say we should welcome them into our gardens and recognise the benefit they bring. They are part of nature's grand scheme of things after all, contributing to the health of the soil by turning it, draining it and mixing its nutrients. You know you have healthy, worm-rich soil when molehills appear. Molehills also make excellent nursery beds for wildflowers. Even on farmland, moles have a role, aerating soil and eating crop-damaging larvae – they were once deliberately introduced to control cockchafer beetles.

Because they live underground, moles escape most people's attention and knowledge of them is scant. Did you know, for example, that the series of molehills across your lawn was created by a single mole? After mating, they live a solitary life in the darkness with smell and touch their only means of seeking and finding prey and future mates.

The only time they venture above ground is when they are young and in search of a burrow of their own. These burrows can be hundreds of metres long and are dug at various depths to allow for droughts and for low temperatures. Powerful diggers with strong shoulders, moles have white, paddle-like front legs which look remarkably like human hands, a pink pointed snout, tiny eyes and a short tail. They weigh 80g and need to eat 50g of worms and grubs a day to survive. To ensure a regular supply, they bite worms in the head to immobilise them, then store them in chambers called 'fortresses', dozens at a time. The moles dig and feed in a four-hour shift before resting for four hours, then feeding and digging again.

Moles used to be trapped for their velvety pelts. Thankfully that is no longer the case, but now they are killed because they make a mess of our lawns and golf courses. It is time to cherish the inherent worth of this blameless creature with which we share our world, even if that is sometimes at a small cost to ourselves. It only takes a second to kick over a molehill after all.

CLARE GOGERTY

Information from 'Moles' (Whittet Books)
by Dr Rob Atkinson, former Cradley resident



In December **STORRIDGE WI** celebrated Christmas with a party and welcomed two visitors. Members had already been invited to two local WI parties - Alfrick and Callow End - and reports were given.

In the correspondence was an appeal from St Richard's Hospice asking for volunteers to help in their new, much larger, charity shop. Midlands Air Ambulance were advertising their talks and members were asked for their suggestions for speakers and outings for the coming year. Members also needed to choose which resolutions they supported out of a choice of four. It was mentioned that sadly Daphne Beard a valued and long standing member had died and details of her funeral and wake were given - many members hoped to attend.

We sat round a large table which was filled with glorious table decorations made by the members for the monthly competition - it was so varied and skilled that it was deemed everyone who entered should receive points. Our President had compiled a seasonal quiz followed by a seasonal game. Then we enjoyed the refreshments to which everyone had contributed. There was Christmas music, chatter and laughter and everyone went home with a secret Santa parcel.

In January it is traditional for us to go out to lunch at The Falcon in Bromyard. It never disappoints, and everyone enjoyed it tremendously. I for one cannot wait to go back-I am not waiting until next January!!

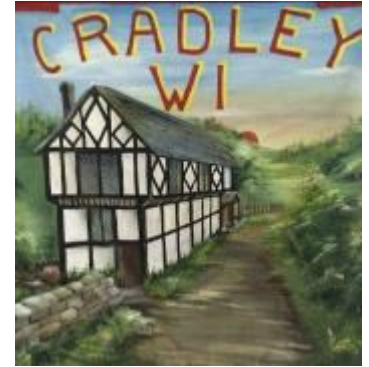
On Thursday 8 February we will be back in StorrIDGE Village Hall at 7:30pm - come and join us; we are small but very friendly. Just come as a visitor to see for yourself. You are assured of a warm welcome.

JOAN PROSSER

Secretary
jemeadow2@gmail.com



theWI
INSPIRING WOMEN
CRADLEY WI



Established 1938



**Cradley WI meets monthly in the Village Hall
on the first Thursday of the month at 7.30 p.m.**

**We have a speaker or other activity, a short business meeting and
plenty of time to catch up over refreshments**

We also have many other activities and clubs to enjoy...

BOOK CLUB

LUNCH CLUB

SUPPER CLUB

NIMBLE FINGERS CLUB

COFFEE MORNINGS

GARDEN CLUB

CINEMA/THEATRE/CULTURE GROUP

We take part in other activities and events too...

Stalls at local Fairs

Herefordshire Federation WI events

Village community pop-up events

Fund-raising for a charity of our choice

Do come along to our monthly meeting to see what we are all about

You will be assured of a warm welcome

Your first meeting is free

If you would like to know more about Cradley WI please contact:

Joy Edwards - President, 01886 880649 or

Lesley Gregory - Secretary, 01886 880525

or email cradleywi@gmail.com

St David's Day Concert



Cradley Church
Sunday 3rd March 2024
at 3pm

Worcester Male Voice Choir
Shelley Fairplay ~ Harpist

Tickets £18.00
to include refreshments

Tickets available from:

Margaret. 01886 880529

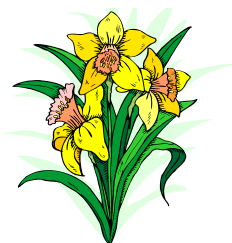
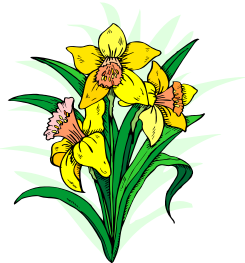
margaret.edgar3@btinternet.com

Chris. 01886 884553

csroberts@talk21.com

cradleyvillagehall.org.uk

Cradley Village Store



All proceeds will be shared equally between Church and Village Hall

MOONS OF THE SOLAR SYSTEM

Besides Mercury and Venus, all the planets of the solar system have moons. Mars only has two tiny ones which are captured asteroids, Phobos and Deimos (fear and dread, attendants of the Greek god of war), eventually will spiral down onto the planet.

Jupiter is known to have 95 moons at present count. A small telescope will reveal the four biggest (indeed planet sized) moons, discovered by Galileo, those being Io, Europa, Ganymede, and Callisto (named after the lovers of the Greek god Zeus - Roman Jupiter). Io is very close in orbit to Jupiter, and like most moons has a significantly elliptical orbit. It orbits the planet with the same face always pointing to it, with an orbit of 1.6 days. As with all moons and planets it spins at constant speed, but with its elliptical orbit about Jupiter it varies its speed according to its distance to Jupiter at any one time. It is phase locked, with the same face pointing to Jupiter but with the orbit speed varying and the spin constant they do not compensate at any one time, causing an oscillation in the position facing Jupiter. This results in a huge tidal force due to the strength of the gravitational pull of Jupiter. This causes huge volcanic eruptions on its surface covering the surface with sulphur, with large volcanic plumes. The next Moon out from the planet is Europa, larger than our own, which has a thick surface of ice over an ocean. The varying gravitational force of Jupiter is responsible for the energy warming the ice to form the ocean. There are plenty of impact craters on the icy surface and there are cracks between large ice sheets indicating the presence of the ocean below. The next moon Callisto similarly has a cratered ice surface and ocean below. The other moons are much smaller and two are closer to Jupiter than Io. Currently the Juice (Jupiter Icy Moons Explorer mission) originally orbiting north south of Jupiter's poles is now orbiting successfully many of the moons to study them.

Saturn is currently known to have 146 moons: 66 of them have designated names, too many to list here. Also, there are at least 150 tiny moonlets buried in the rings. The rings of Saturn are made up of huge numbers of small lumps of ice varying from centimetres to meters in size, likely from broken up moons and there are relatively recent phenomena in the history of the planet. The gaps in the rings are due to harmonic ratio resonances with the orbiting periods of the larger moons. Titan is so big that it has its own atmosphere of predominantly nitrogen with clouds of methane gas at very low temperature and a weather system with rivers and lakes of liquid methane. The Huygens probe landed on Titan and showed some images of large snowballs. A NASA probe, already planned, will deliver a small helicopter to jump around on its surface, investigating.

The Saturn Moon Enceladus also ice covered has geyser jets of water in one specific region showing there is liquid water under the ice which was a surprise for such a small Moon. We know a lot

about Saturn and its moons from the Cassini probe that orbited the planet taking data successfully for tens of years. Eventually it ran out of propulsion fuel and had to be crashed into the atmosphere of Saturn where it burnt up, so avoiding contamination if it had crashed into any moon. Jupiter, Uranus and Neptune also have rings but they are very dim by comparison.

The main feature of Uranus is that it spins almost at right angles to its orbit round the sun. Like Jupiter, Saturn and Neptune it has an atmosphere of mostly hydrogen and helium. We know of 27 moons. The principal moons of Uranus are Miranda, Ariel, Umbriel, Titania, and Oberon. Clearly the naming was inspired by Shakespeare's *The Tempest* and *A Midsummer Night's Dream*! They all have surfaces of silicate rock and ice and all phase locked with one side facing Uranus. Miranda has a very strange surface structure is quite unique with rocky terrain and scrape marks in different directions on different parts.

Neptune at present count has 14 moons. The largest is Triton and like all the major moons of the solar system has achieved hydrostatic equilibrium, that is it is essentially spherical, the shape that has equal pressure in all directions at the core. It has water vapour geysers containing leaving carbon streaks on its surface according to the solar illumination-angle. Unusually it has a retrograde orbit and will eventually crash into the planet.

Even Pluto, now classed as a dwarf planet, has five moons: Charon (named after the ferryman across the river Styx), Nix, Hydra, Kerberos, and Styx (guardians of the underworld). The largest, Charon, is a third of the size of Pluto, and like Pluto has surface features of ice made mountains and basins, imaged in detail by the Horizon probe in passing which then was routed on to investigate another dwarf planet further out, of which there are many. A number of the asteroids have tiny moons around them.

One can easily observe with a small telescope, the four major moons of Jupiter orbiting around the planet in different positions from night to night; also, the shadows cast on to the surface which take a few hours to cross. This is a regular occurrence.

CHRIS BADDILEY





Cradley, Mathon and Storrige ART GROUP

Do you wish that you could paint or draw but need encouragement and guidance?
Come and have a go with us!

We are a small group, meeting in Storrige Village Hall
2 p.m. to 4 p.m.
every 2nd and 4th
Wednesday of the month
Just turn up for a free taster session,
we can help you with materials – it's a friendly place to
have a go and get lots of support

For a chat about it, please phone:

Margaret 01684 569019 or Mary 01684 574120

Or email: cmsartgroup01@gmail.com

STOP PRESS!!

We are holding an acrylic workshop with Ivan Maxwell
Jones on Wednesday 20 March, 10 a.m. to 3 p.m.
Materials provided.



theWI
INSPIRING WOMEN

CRADLEY WI

Established 1938



Cradley WI invites you to join us for a
Pancake Lunch

Shrove Tuesday 13 February 2024

12 noon - 1.30 p.m.

Cradley Village Hall

**Homemade soup with crusty bread and
delicious pancakes**



Tea or coffee

Tickets £8



Payment in advance please by bank transfer or
cheque
to Cradley WI

Please contact Sue on 01886 880541 or Lesley on 01886
880525 to book your ticket or for bank details.

Email: cradleywi@gmail.com for more information



MATHON GET TOGETHER

Who is it for? Anyone living in Mathon and
the surrounding area.

When is it? Fridays 10:30 a.m. - 12 noon

Where is it held? Mathon Parish Hall

This is open to everyone who fancies
dropping in and enjoying a cup of tea or
coffee with some biscuits and meeting friends
old and new. It has been the venue for many
a reunion.

FREE

Just turn up and enjoy

CRADLEY SURGERY

01886 880207

www.cradleysurgery.nhs.uk

Surgery hours:

Monday to Friday:
8.00 a.m. to 6.00 p.m.

Closed weekends and Bank Holidays

You can also ask a question online at
<https://florey accurx.com/p/M81600> which will be
read by a team member within 48hrs.

This might be about an admin issue, eg. about sick
notes, repeat prescriptions etc; about a medical
issue eg new or ongoing symptoms; or advice and
guidance concerning conditions, symptoms and
treatments.

**If your GP practice is closed and you need
more urgent help, visit [NHS 111 online](https://www.nhs.uk) or call
111 In an emergency call 999.**

(see separate notice for Dispensary)

ON THIS DAY

February 1st 1994:

MPs held a heated debate on the proposed sale of the Rover car company to BMW which had offered to pay £800 million to owners British Aerospace. Prime Minister John Major said "The prospects for Rover in the future are excellent. The new arrangements will provide new export markets and more investment." In May 2000 the company was sold to the Phoenix Consortium for £10. In 2005 it went into administration with the loss of thousands of jobs, but not before the directors of Phoenix had paid themselves £42 million.

February 5th 1922:

Reader's Digest magazine was published for the first time. It was founded by Dewitt Wallace and his wife Lila Bell Wallace. It became the best-selling magazine in the USA, a distinction it retained for many decades. In 1938 the UK version was launched, the first of many international editions. After surviving some financial issues, it is still published with an estimated monthly worldwide circulation of 10.5 million copies.

February 6th 1935:

The board game Monopoly went on sale for the first time in the USA based on properties in Atlantic City, New Jersey. In 1936 international versions were launched. During the second world war special editions of the game were commissioned by the British secret service for distribution to POWs held in Germany. These included concealed maps, compasses and even real money to aid the POWs' attempts to escape captivity.

February 8th 1983:

Ariel Sharon, Israeli Defence minister, was forced to resign after an enquiry found that he had failed to act to prevent the massacre of hundreds of people in two refugee camps. On the same day in 2005 Sharon, by then Prime Minister of Israel, agreed a truce with Mahmoud Abbas, the Palestinian leader. Speaking directly to Palestinian people, Mr Sharon said that "I assure you that we have a genuine intention to respect your rights to live independently and in dignity." Mr Abbas said "It is about time the Palestinians get a free and independent state ... it is about time our people have their peace and live their lives normally like every other country."

February 13th 1978:

Anna Ford became the first female presenter to join the ITN news presenting team, making her debut on ITV on March 9th. She had moved from the BBC with a reported jump in salary from £10,000 to £14,000. In 1986 she rejoined the BBC and eventually retired from news presentation in 2006.

February 14th 1993:

Police confirmed that a body found on a railway embankment near Bootle was that of 2-year-old toddler James Bulger. In November 1993 Jon Venables and Robert Thompson were convicted of his murder. In June 2001 the parole board found that the pair no longer represented a danger and should be

released. A judge ruled that their identities should remain secret for the rest of their lives. Venables is currently in prison for the possession of child images. Thompson has not re-offended.

February 19th 1985:

The soap opera *Eastenders* premiered on BBC 1. It is set in Walford in the East end of London and is mostly filmed on a purpose-built set in Elstree. About 6850 episodes have been broadcast and it is estimated that it would take 137 days to watch them all, right from the start.

February 21st 1916:

A massive artillery bombardment by the German army marked the start of the Battle of Verdun. The German objective was to destroy the French army defending the town of Verdun on the banks of the river Meuse. The French army gained the ascendancy in June when the Battle of the Somme depleted German resources and the battle continued until December 1916. The French had repelled the German attack but at a heavy price to both sides. The French had lost 377,000 men and the Germans 330,000.

February 26th 2023:

Severe storms hit California, including snow falling in Los Angeles for the first time in decades. Some mountain areas had over 80 inches of snow while other areas had 15 inches of rain in just a few days.

February 27th 1933:

The German parliament building, the Reichstag, was destroyed by fire. The Nazi government blamed the communists but it is generally believed that the fire was a government led plot intended to discredit its opponents and to create an opportunity to seize emergency powers. Legislation passed in March transferred effective control of all legislative powers to Hitler's cabinet, effectively creating a dictatorship.

IAN THOMPSON

CRADLEY SURGERY

Dispensary Hours

from 25 May 2023

01886 880207

Dispensary open:

Monday to Wednesday and Friday:
9.00 a.m. to 1.00 p.m. and 3.30 p.m. to 6 p.m.

Thursday:

3.30 p.m. to 6.00 p.m.

Dispensary phone lines open:

Monday to Friday:
9.30 a.m. to 1.00 p.m. and 3.30 p.m. to 5.30 p.m.

Please note the Dispensary opening hours and Dispensary phone line opening hours are different from those of the surgery.

(see separate notice for Surgery)

EXCERPTS FROM PARISH MAGAZINES

CRADLEY PARISH MAGAZINE FEBRUARY 1900 part 1

As well as village news these magazines have articles in them. Here is an article which, although fictional, probably could relate to all over the country.

This article is entitled:

“Waiting for News October 1899”

It has become quite an institution amongst the inhabitants of Treddleston to watch for the arrival of the paper boy.

Never before had the youngster, who brought the dailies and weeklies from the nearest station and distributed them at the three or four large houses in the village felt himself a person of such importance and he exhibited tremendous airs in consequence. Of course, the unusual amount of interest in his movements was on account of the war!

In what town or village either throughout the length and breadth of the country has there not been waiting and watching, with heart-sick suspense, during the past weeks, for the latest news from Africa.

Many had taken the Queen's shilling, sick of dull village life where work and bread were scarce and change and variety more so.

Many villagers could not read but would go to the “big house” where the papers had been taken and the lady would read out details. In the papers were a list of casualties - details of the wounded - and a list of the killed.

Contributed by
JOAN PROSSER

JUST FOR A LAUGH

My wife Judy had been after me for several weeks to varnish the wooden seat on our toilet. Finally, I got around to doing it while Judy was out. After finishing, I left to take care of another job before she returned.

She came home a little earlier than expected and undressed to take a shower. Before getting into the shower, she sat on the toilet. As she tried to stand up, she realised that the not quite dry, epoxy paint had glued her to the toilet seat. About that time, I got home and realised her predicament.

We both pushed and pulled without any success whatsoever. Finally, in desperation, I undid the toilet seat bowls. Judy wrapped a sheet around herself, and I drove her to the hospital emergency room. The ER doctor got her into a position where he could study how to free her. Judy tried to lighten her embarrassment of it all by saying “well doctor, I'll bet you've never seen anything like this before” the doctor replied “actually, I've seen lots of them... I just never saw one mounted and framed”.

CHRIS ORFORD

MARGARET'S CAKES AND BAKES UPDATE

When we launched Margaret's Cakes and Bakes in September at our MNDA Coffee Morning, we set ourselves a target of raising £5,000 for the Motor Neurone Disease Association. To date we've sold just over half of the copies we've had printed and in addition to the funds raised on the coffee morning we've received various other donations. Margaret and I were delighted to discover we'd reached our target by the end of 2023 and in January we presented a cheque for £5,000 to the Herefordshire and Worcestershire Branch of MNDA.

As we still have books to sell, we'd like to raise a further £2,500 this year, so if you know of anyone who'd appreciate a copy or if you haven't bought your copy yet, they are available from Cradley Village Stores, Cradley Village Hall, Colwall Post Office and Roots of Rushwick as well as from either Margaret or me.

We'd like to thank everyone who's supported our fundraising efforts so far and enabled us to provide support for MNDA.



Margaret Ainscough, Jan Dampney and local MNDA organiser, Phil Clayton.



Dear Readers,

Regrettably we expect to be short-staffed in March, so please make sure you get your contributions in before the deadline 12 March (adverts and notices) or 16 March (articles) to be sure of inclusion in the April edition of *The Newsletter*.

Thank you.

The Newsletter Team

CRADLEY SURGERY NEWSLETTER

Dr Peter Clegg

Dr Chris Spruce

www.cradleysurgery.nhs.uk

THANK YOU!

We would like to send out a huge thank you to patients who very generously gave our staff Christmas cards and Christmas Gifts.



It was very kind of you and they were all much appreciated!

We wish you all a healthy and happy New Year.”
From all the team at Cradley Surgery.

The Friends of Cradley Surgery (PPG)

We are really excited about lots of new ideas and ways for the Friends to become more involved in Cradley Surgery. Thank you to our new and current committee members!

If you're interested in becoming a member of our PPG, please write to Kirsten Jonathan (Chair of the PPG and practice manager) and address the letter to the Surgery with your contact details (an Email address is preferable as our meetings will be mostly virtual) or fill in an online form at: <https://floreay.accurx.com/p/M81600/>

stating you'd like to join!

We're always on the lookout for new members, so watch this space for further information about upcoming meetings.

Winter Pressures

We would also like to thank patients for their patience and understanding over the last couple of months, as we, (amongst all healthcare services) have had a huge increase in demand for appointments and medications. We have tried our best to accommodate all needs and hopefully we can look forward to a (slightly) calmer 2024.

In true Cradley style we have “Kept calm and carried on” and we appreciate your support as always.

Spotlight On... Our Health and Wellbeing Coach. Meet Mark!



Hi. I'm Mark, the Health and Wellbeing Coach for Cradley Surgery. I have a background in health and social care including social prescribing and clinical

work in podiatry.

I am available to support patients in a person-centered, empathic way to make lifestyle changes and move towards improved health outcomes. The coaching approach helps patients think through their situations and raise motivation levels for change. It helps with working to overcome barriers and to support patients in making their own realistic goals to improve their wellbeing. Coaching can help people better self-manage long-term conditions such as diabetes, hypertension, high cholesterol and overweight.

It can also help with low level mental health issues, stress and mood.

Patients can self-refer to the service by asking at Reception to see me or they can be referred by a clinician.

I am usually at the surgery on Wednesday mornings but can also consult with patients via video call/ telephone or arrange to meet somewhere in the community (e.g, a home visit)”

Arriving on time for appointments

A polite reminder to our patients:

If for any reason you are going to be late for an appointment, please ring and let us know and we can inform the clinician that you are seeing. If you do not inform us, you will automatically be marked as "did not attend" and you will have to re-book.

You will be seen if you arrive within 5 minutes of your allotted time. After this you will have missed your allocated appointment and will be asked to re-book. We can ask the clinicians if they can still see you, however when a patient is late to an appointment, this pushes back everyone else's appointments or means that you will not get the adequate time required for your appointment.

It is up to the clinician if they think you still have time for a suitable appointment or if they would like you to





Cradley Village Hall

2:30 pm

Sunday, 11th February



Tickets £8pp



from Jan Dampney

☎ 01886 880316

✉ jan.dampney@outlook.com

www.cradleyvillagehall.org.uk

BOOKING ESSENTIAL



Glass of Prosecco available on the day at a small additional cost



In aid of the Cradley 2024 Summer Fete

The January meeting of **CRADLEY WI** was held in the evening for the first time for many years. There was a good turnout of members, all grateful to be able to venture out at last after the rain had stopped!

At the beginning of each new year WI's all over the country are discussing and considering options for our annual national campaign, with all members eligible to vote for their preferred cause. Joy and Lesley summarised this year's 4 chosen causes and ballot papers were distributed. At the end of January our results will be sent to the Herefordshire Federation for inclusion in the national ballot.

Our next activity was an enjoyable musical quiz, based on theme tunes of television programmes, old and not so old. Would you recognise the theme music to Jonathan Creek, or MasterChef? I didn't! We all recognised Captain Pugwash, however! The winner knew 25 of the 30 tunes – a worthy prize winner.

Lesley updated us on future activities including our ever-popular Pancake Lunch, advertised elsewhere in this newsletter. Hope to see you there. Contact us for tickets.

We were also reminded of the regular groups – the Lunch Club, Coffee club and the Book Club are well established but always welcome new members. There is a newly formed Supper Club, meeting for the first time in February and as the Knit & Natter group no longer involves only knitting but welcomes all creative activities, (although I'm not sure anything involving power tools would be a good idea!) its name is changing to Nimble Fingers and the group will still be held monthly. Five of us met yesterday under our new 'banner' and we knitted, sewed and worked on a new tapestry, over the essential coffee and cake, of course (some things don't need changing).

Our first supper club is already proving a popular outing and allows those unable to make daytime engagements to enjoy a social event. Our monthly lunch club was again popular and we enjoyed the hospitality of The Talbot Hotel in Ledbury in their dining room dating back to the 16th century, complete with musket shot buried in the wainscoting.

It may be a bit late for New Year resolutions but it's not too late to decide to come and join us in the WI. You know you'll be very welcome – even if you can't remember Captain Pugwash! Look for our poster in this newsletter - our February meeting is an Open meeting, so it's open to all.

PAM MOSS, Press Officer
LESLEY GREGORY, Secretary
JOY EDWARDS, President

Details at cradleywi@gmail.com or find us on Facebook - Cradley WI

STORRIDGE, CRADLEY AND MATHON TEENY TOTS

Teeny Tots Stay and Play Group are looking for a volunteer!

Would you like to volunteer in your local community?

Do you like working with young children?

We are looking for someone to help us make tea and toast during our sessions, on a flexible rota system, from 10:30 a.m. to 12 noon every other Thursday, during school term time (approximately 20 sessions a year).

We are a well-established toddler group and have been running for many years. We've recently moved to the Scout Hut in the heart of Cradley.

If you are free and keen to volunteer yourself, please contact Rachel:

on 07790 890183

STORRIDGE, CRADLEY & MATHON TEENY TOTS PLAY GROUP

- ☀️ We are open to parents/carers with children aged 0-5 from all surrounding areas
- 👪 Come along for play, crafts and nature walks on Thursdays during term time
10.30am - 12 noon

Only £2 per family, which includes a drink and a snack

Cradley Scout Hut, The Old Rectory Rooms, Churchfields Lane, Cradley, Herefordshire, WR13 5LL

Please see our Facebook group for regular updates and news or contact Rachel on 07790890183

Please note: Parents/carers are responsible for their own children at all times

ARE YOU FEELING FLUSH?



Can you help us to meet our target to provide a much-needed disabled TOILET facility in Cradley church in the near future?

We have received grants and some generous donations, but still need around £30,000 to complete the project. We have already secured planning permission and a faculty from Hereford Diocese.

Although we have use of the Village Hall facilities, for which we are very grateful, the church does need its own, especially when the church is used for concerts and other large events when it is dark, and for school services.

CAN YOU HELP TO FLUSH AWAY OUR DEFICIT to enable us to provide toilet facilities in Cradley church?

DONATIONS MAY BE MADE BY CHEQUE Payable to Cradley PCC, which can be left in the wall safe or sent to the Treasurer at Reafields, Grittlesend, Cradley WR13 5NR.

Alternatively by Bank Transfer to:

Sort Code 30-95-41.

Account No 29499268

PCC of St James Cradley Restricted Funds.

FOR MORE INFORMATION, SPEAK TO IAN
01886 880201



A Big Thank You to those of you who generously donated following the previous appeal, but more is needed.



Cradley Village Hall

21st Century facilities in 16th Century surroundings Herefordshire
Registered Charity no:508710

Post Office

Open Mondays 9:00am-1:00pm
&
Thursdays 1:00:pm-4:30pm

For:

- Basic Banking Service
- Parcel Force Outlet
- Royal Mail Services
- Mail Order Returns
- Vehicle Taxation

No longer available:
• Driving Licence Applications
• Foreign Currency

Open Mondays 10:00am-12:30pm
&
Thursdays 2:00:pm-4:30pm

For:

- Design and printing service
- Use of laptops
- Help with computer problems
- Access to internet

Resource Center

Help: 01886 880952

Heritage Group

Help: 01886 880005

Open Mondays 10am-12:30pm
&
Thursdays 2:pm-4:30pm

For:

From within the local area :

- Tracing family trees,
- Access to documents and pictures.
- Search for property history
- Church and graves records

THE 3 VILLAGES VISITING GROUP

ARE YOU, OR DO YOU KNOW SOMEONE WHO FEELS LONELY?

The Visiting Group is made up of a small number of volunteers who offer visits to anyone who may appreciate some company, whether it be for a catch up and a chat or maybe to share reading a book or just sit, whilst a partner goes out

Or perhaps you would enjoy the opportunity to share time together, by playing scrabble, chess, cards, including a hand of cribbage or doing crossword puzzles or any other games

If you, or anyone you know, might appreciate a visit, please let us know

Contact:
Sue Ronan on 01886 884646
Email: sue@ronan.me.uk

Jill Nicklin on 01886 880920

CRUMPTON HILL FARM SHOP

Thank you and good luck to Jim, Mandy and Becky at Crumpton Hill Farmshop. We're sorry to hear that the family run business closed its doors for the last time in January 2024. They will be really missed by the local community.

Wishing them all the best for their future!

THE MEAGER FAMILY



Jim, Mandy and Becky on their last day at the farm shop.

LOCAL HEROES

Spare a thought -- or rather a lot of thoughts, actually -- for Jim and Mandy Harrington and their daughter Becky. Their Crumpton Hill Farm Shop finally closed its doors on Saturday 13th January after ten years of sterling service to the community. The Lowder household will certainly miss them.

After all, you could buy tasty 'dirty' carrots and parsnips -- ie those straight from the ground and not soused in chlorine -- a whole slew of different types of potato, Josephine's splendid, and utterly delicious, sweet or savoury Little Tarts, interesting local cheeses, excellent breads and pies, charcuterie, and cider by the barrel-load; not to mention a pretty staggering choice of other drinkable potatoes.

Crumpton Hill Farm Shop certainly was a boon to the community at large, in many ways. Not simply because you could buy real, and often home-made, food there, but also when push came to shove Jim and Mandy stepped up to the mark: I do hope no one forgets how they helped co-ordinate food and general supply runs during the terrible Covid outbreak.

Cyclists will miss them. Crumpton Hill was a more than useful staging-post for all kinds of two-wheeled races and journeys. For walkers and hikers, too. A packet of crisps and a chocolate bar while resting your weary legs on one of Jim and Mandy's table-benches was always welcome.

So -- a salute to these local heroes! We need more of them, especially these days. Perhaps some young spark or sparks will take up the challenge and give Cradley and Storrige another ten years of excellent service.Here's hoping.

CHRIS LOWDER



The *Newsletter* team would like to echo Chris' article; Jim and family have helped to ensure that Storrige and surrounding area has been properly served with our *Newsletter*. Over the years we have delivered the *Newsletter* to the Farm Shop and from there, customers have been able to purchase copies. The Harringtons have also carried out lots of helpful work behind the scenes.

We too shall miss them greatly.

ROBERT COLLEDGE
Editor

FREE ROOM HIRE

AT CRADLEY VILLAGE HALL

We are happy to announce that we will give free use of the Hall to anyone wishing to hold coffee mornings or charity fund raising events

We include full use of kitchen equipment and crockery and free electricity use

**Available Mondays 9am- 1pm
Thursdays 1pm-4pm**

**for details and booking call Jan 01886 880316
or call into the Hall or phone 01886881046**

THE ROYAL BRITISH LEGION



ROYAL BRITISH LEGION CLUB – NEWS & EVENTS FOR FEBRUARY 2024

Six Nations is back, and we will be showing all of the England matches live on our big screen. Come along for a great atmosphere and a seat with a view. Also, this month, a great new line up for Comedy night and our all-important AGM.

AGM! Friday 2 February 8:30 p.m. start



The club committee would like to invite you to join us for our Annual General Meeting. This is your opportunity to have an input on how the club is run or share ideas for the future. We are actively seeking volunteers for the committee; please arrive early to ensure an 8:30 p.m. prompt start.

February Fixtures:



03.02.24 Italy Vs England KO 2:15 p.m.

10.02.24 England Vs Wales KO 4:45 p.m.

24.02.24 Scotland Vs England KO 4:45 p.m.

**MATCH DAY OFFER: 3 pints for £12 from kick off till the end of the match – check out our Facebook page and email newsletters for extra information.
Everyone welcome, not just members.**

Comedy Night! 17 February 8:00 p.m. Start



Tickets still available, get yours before they sell out.... Headliner Sean Percival is an experienced, very original, comedian from Dudley, who steers clear of the surreal and confronts realism in an explosively funny way.

Just £15 including a ploughman's supper!

Car Park Donations:

The Club Committee would like to thank all surgery visitors who have contributed via the car park donations box (on the reception desk). If you park in the Club car park, then you can help us to keep it open for you, by donating each time you use it.

As well as our events, join us Monday – Saturday from 7:30 p.m. Our member's facilities include snooker, pool, skittles, and darts. You don't need to be ex-service to be a member; you can join for around 5p a day and membership includes annual Royal British Legion Membership, a quarterly magazine, and other benefits only available to members!

Don't forget if you're organising an event, take the headache out of bar planning and book our outside bar. For further details please pop in and chat with Trina or give us a call on 01886 880552. Alternatively, why not hire all or part of the club for your event.

To keep up to date with all our events, see future copies of the Parish magazine, click on the village diary, subscribe to our newsletter, and find us on Facebook.

We look forward to welcoming you to all our events,

JOANNE
Club Secretary / Treasurer



**FULLY QUALIFIED LOCAL PLUMBING & HEATING
ENGINEER WITH OVER 20 YEARS EXPERIENCE**

BATHROOMS
KITCHEN & OUTDOOR TAPS
RADIATOR UPGRADES
UNDERFLOOR HEATING
PRESSURISED CYLINDERS
GENERAL MAINTENANCE
FRIENDLY & RELIABLE

CONTACT: NIK COMPTON
MOBILE/WHATSAPP: 07743445942
LANDLINE: 01886886397

SCAN THE QR CODE
TO SEE MY WORK



@NCOMPTONPLUMBING

R K Construction

- ◆ Extensions
- ◆ ground works
- ◆ general building
- ◆ maintenance
- ◆ landscaping works

plus intricate brickwork projects

City & Guilds trained with over 30 years experience

Tel: 07774 239932

Email: rkconstruction@btinternet.com

Whitewells Farm Cottages, Cradley

www.whitewellsfarm.co.uk

01886 880607

4* SC Holiday accommodation across 7 cottages.

Exclusive hire for wedding celebrations, family celebrations and friends get-togethers.

Short term accommodation while you find your perfect home. Discounts apply.

Paul J. Rowe

All Aspects of
PAINTING AND DECORATING

Experienced • Professional
Reliable • Friendly

07815 657472

Or Facebook
[P J Rowe Painting & Decorating](#)

CHARLES MAIDEN

EST. 1986
Waste Disposal Ltd



Routine & Emergency emptying of

Domestic & Commercial:-

- SEPTIC TANKS
- TREATMENT PLANTS
- ALL SEWAGE SYSTEMS
- BLOCKAGE CLEARANCE
- GREASE TRAPS

Throughout Herefordshire, Shropshire & Worcestershire.

Call us now for your free quote.

01885 482305

info@charlesmaidenbromyard.co.uk

www.charlesmaidenbromyard.co.uk

Pussy Cat Cattery



Luxury Boarding Cattery in an idyllic, safe and calm location for cats only.

**Seville Cottage,
Suckley, Worcester,
WR6 5EQ**

www.pussycatcattery.co.uk

01886 884867

Viewings are most welcome
www.facebook.com/SevilleCottage

LIGHTING | MIRRORS | FURNITURE

TABLE LAMPS
WALL LIGHTS
LAMP SHADES
FLOOR LAMPS
CEILING LIGHTS
TASK LAMPS



LIN AND SOO ARE HERE TO HELP WITH ALL YOUR LIGHTING REQUIREMENTS

REPAIR
RE-USE
RECYCLE



J.A.HALL
AER LGGI GGGG ARC

FURNITURE RESTORATION AND REPAIRS
IF IT'S WOOD, WE CAN MAKE IT LOOK GOOD

JEFF AND ROB ARE HAPPY TO DISCUSS ALL FURNITURE REPAIRS/RESTORATION

MALVERN STUDIOS
56 COWLEIGH ROAD, MALVERN WR14 1QD
01684 574913
www.malvernstudios.co.uk



R.S.B. DECORATIONS
Professional Painting and Decorating



All aspects of Decorating undertaken


- Interiors & Exteriors
- Sash Windows
- Wooden flooring renovation
- Kitchen units hand painted
- Granite worktop repairs
- End of tenancy freshen-up
- Application of Epoxy floor paint for garages, cellars, sheds etc.
- Specialists in Black & White, Historic and Listed buildings

Est. 34 years

01905 821453 / 07851 225277
email: roger.bent@btinternet.com

Cecilia Hall Dance Centre
Classes in Great Malvern Tel: 07443 872188
ceciliahalldance@live.co.uk
ADULT DANCE/FITNESS

| | | |
|-------------------|---------------------|---------------------|
| Mondays | 10.40am and 2.30 pm | Ballet |
| | 11.45am | FitSteps |
| | 1.30pm and 8.00pm | Tap |
| | 5.45pm | Grade 6 Ballet |
| | 9.00pm | Modern |
| Tuesdays | 9.20am | Pilates |
| | 10.30am and 3.00pm | Tap |
| | 11.30am | FitSteps |
| | 1.50pm and 7.00pm | Ballet |
| Wednesdays | 9.10am | Pilates |
| | 10.15am | Modern |
| | 11.20am and 1.45pm | Ballet |
| | 12.30pm | Flamenco |
| | 2.50pm | Pilates |
| | 6.45pm | Ballet |
| Thursdays | 10.00am | FitSteps |
| | 11.15am and 7.30pm | Ballet |
| | 2.15pm | Silver Swans Ballet |
| | 6.30pm | Zumba |
| Fridays | 10.30am | Ballet |
| | 11.45am | FitSteps |
| Sundays | 8.45am | Pilates |
| | 10.00am | FitSteps |
| | 11.15am | Tap |



Professional, approachable and offering home visits

Just contact Clare Malloy on 01684 563318

All areas of law covered

Elphick House, 287 Worcester Road, Malvern, Worcestershire WR14 1AB • 01684 563318
www.paytons.co.uk • ask@paytons.co.uk



MESSAGE AND/OR WELLBEING COACHING

MASSAGE for your painful
back/shoulders/legs/arms/feet

Plus COACHING enables you to
help yourself when suffering from
Chronic on-going conditions

Relax with Aromatherapy oils

**Create a more comfortable life and feel
more in control of your symptoms**

CALL NOW - FREE 30 min assessment

FRAN DOIDGE fran@coachingforwellbeing.co.uk

www.coachingforwellbeing.co.uk

01886 880100/07974 400575

HOLIDAY PET FEEDING SERVICE

Do you need someone to feed your pet
when you are away? Whether it is just for a
single visit or for longer periods

Call Sarah on 01886 880727 to
discuss your requirements



Herefordshire and Worcestershire's
friendliest home care and live-in care
provider.



Live-in Care | Visiting Care | Respite | Companionship

Kemble at Home is a multi award-winning,
local, family company providing
OUTSTANDING Live-in Care for people in
Herefordshire and Worcestershire.

www.kembleathome.co.uk

Call Kelly Hennessey-Ford on 01432 382017

Email: kelly.hf@kembleathome.co.uk



All traditional garden services

Design consultation

Royal Horticultural Society trained

Fully insured

Full and half day slots available

Mobile: 07786 382924

Email: aw.matthew@gmail.com

Malvern Computers



Repair, maintain, install and advise

01684 561849 or 07852 474673

malverncomputers@talktalk.net

www.malvern-computers.co.uk

Domestic & Commercial
Interior & Exterior

From a Refresh to a Restoration
the highest standards achieved to
enhance your home and living experience

Painting and Decorating
Drylining and Plastering
Window Restoration
New Builds and Offices
Kitchen and Furniture Modernisation
Tiling



*Painting
& Plastering*

Please call, email or message for a quote

07815 295557

contact@dmproperty.services @dmpropertyservices9

CHIMNEY SWEEP

Andy Johnson

Certificates Issued
Evening / Weekend Sweeps
Stove maintenance



**Tel: 01886 821933
07798 790913**

 andysweeps1@gmail.com 

Little Growbags Children's Nursery



Hunters Moon, Bransford, WR6 5JB
www.littlegrowbagsnursery.co.uk

'Nurturing your child through play to their full potential'
Open 7.45 a.m. - 6.00 p.m. Monday to Friday
From 3 months - 5 years: OFSTED registered for 37 places
Small holiday club : Home cooked food
Friendly, caring and flexible : Safe dropping off and parking

Please call us on 01886 833379

SPORTS THERAPY MASSAGE

Backache, Stiff Neck, Painful Knees, Arms or Legs?
Don't suffer; call and book a sports therapy massage,
a remedial massage that can give pain relief
to those aching muscles

JULIA ADAMS – Holistic Therapist
01886 832641/07968 726651

Sherridge Road, Leigh Sinton
*Bowen Technique, Aromatherapy, Indian Head Massage
and Sports Therapy Massage*

Learn to play...

Saxophone, Clarinet, Flute, Trumpet/Cornet

All ages welcome

Contact: Baz
01886 880985/07971 247310
barry.strange1@btopenworld.com



M A WILLIAMS Electrical Services Ltd

Friendly | Professional | Reliable

Fully Qualified Local Electrician
for all your Household Electrical needs.

Also Heavily Experienced in Commercial and
Industrial Electrics, as well as Testing.

Now also undertake solar panel installation and
car charger installation.

Please do not hesitate to contact me, Mark
Williams, for a free quote.

Which trusted



www.mawilliamselectrical.co.uk
mark@mawilliamselectrical.co.uk

Tel: 07966 984893

SIMON THE PLASTERER

15 years experience
Quick and Reliable
No Job Too Small
Free Quotes

Telephone 01886 880399
Mobile 07599 671911

Kiln Dried Hardwood FIREWOOD

Ready To Burn certified



01531 825236

Red Kite

Pest Control

Combining Tradition and Innovation

For all your local Pest Control requirements

All INSECT, RODENT and

WILDLIFE Pests

Free Advice, free no obligation Quotations

-----ALSO-----

TAXIDERMISTRY

I'm interested in purchasing
unwanted pieces of
taxidermy
(for private collection)

Telephone Andy Staples on:
07977 044987 / 01886 832730

hair and beauty
at the park



Andrea, Liz and Jeanette
welcome you to Hair and
Beauty at the Park. A small
friendly hair & beauty salon
situated in Malvern with free
parking and online booking



01684 770439

hairandbeautyatthepark.co.uk

Clarence Park, 415 Worcester Road
Malvern, WR14 1PP

Annie Henderson

Soft Furnishings

Curtains, blinds, loose covers and
home accessories made using your
own fabric

Alteration service both for soft
furnishings and clothing also available

City and Guilds qualified

For a free quotation please contact:

01432 820125

annie@needleseye.me.uk

WORCESTER BESPOKE JOINERY

Specialist in purpose made joinery
Built in furniture made and fitted
Windows, Doors, Cupboards, Kitchens
Built in wardrobes & many other items

Call Ian on 07941 568183

or 01905 421493

Email: ianplante@gmail.com

 **H & J** 
Pest Control Services

**EXPERIENCED/ RELIABLE/AFFORDABLE/ALL PESTS TREATED
FULLY INSURED • BPCA/RSPH II QUALIFIED**

Domestic Properties and Commercial Contracts undertaken
We treat Rats, Mice, Wasps from £50
Hornets, Fleas, Squirrels, Flies, Moles, Bed Bugs, Rabbits, Birds, Carpet
Moths/Beetles, Ants...

INSECTS/RODENTS/MOLES

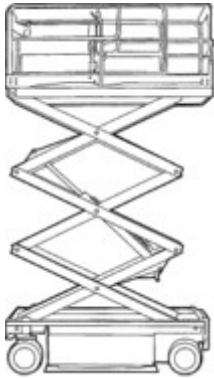
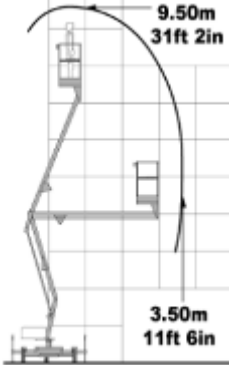
Contact Henry Yardley: 07889 782933
info@hjpc.co.uk www.hjpc.co.uk

**CURTAIN MAKER
SUE BRADFORD**

An Experienced Seamstress
with a sense of humour

**01886 833522
07812 837936**

ACCESS LIFT HIRE
www.accesslifthireworcester.co.uk

Ideal for flue lining, tree pruning, guttering, painting, aerial
installations and internal factory works, etc.

With working heights of up to 9.50m
Able to fit through 2ft 6in openings
All have current LOLER certificates

With hire rates from £65 for half day call:
Louise 07968 963359 or Chris 07710 489575

info@accesslifthireworcester.co.uk
www.accesslifthireworcester.co.uk

**THE
BOSBURY
BARBERS**

Opening Hours

Monday 9.00 a.m. ~ 5.00 p.m.
Tuesday CLOSED
Wednesday 9.00 a.m. ~ 1.00 p.m.
Thursday 9.00 a.m. ~ 5.00 p.m.
Friday 1.00 p.m. ~ 6.30 p.m.
Saturday 8.30 a.m. ~ 12.30 p.m.

Free Parking & Wheelchair Access
Discounts for Pensioners & Children

BY APPOINTMENT ONLY
Tel: 01531 640799
www.thebosburybarbers.co.uk

**SHAUN'S TYRES,
BATTERIES AND EXHAUSTS**

**01684 575480
07557 105233**

UNIT 1 SPRING COURT, SPRING LANE SOUTH
MALVERN, WORCESTERSHIRE
WR14 1AT

30 YEARS OF RELIABLE AND EFFICIENT SERVICE

Cecilia Hall Dance Centre
Classes in Great Malvern Tel: 07443 872188
ceciliahalldance@live.co.uk
DANCE CLASSES FOR CHILDREN

Autumn Term from September

Ballet and Modern classes for children on Saturdays

New Modern Dance class Tuesdays at 4pm
for 7 to 10 years

Drama, Song and Dance class Thursdays at 5pm
for 8 to 10 years



THREE VILLAGES DIARY OF EVENTS 2023

FEBRUARY

| | | | |
|-------|----|------------|--|
| Thurs | 1 | 7.30 p.m. | Cradley WI Open Meeting in Cradley Village Hall. |
| Fri | 2 | 10.30 a.m. | Mathon Get Together. Mathon Parish Hall. Until 12.00 noon. |
| Fri | 2 | 8.30 p.m. | Royal British Legion AGM. |
| Sat | 3 | 1.45 p.m. | Royal British Legion. Six Nations Rugby. England v Italy k/o 2.15 p.m. |
| Thurs | 8 | 7.30 p.m. | StorrIDGE WI. Group discussion: 'My Route to Now' |
| Fri | 9 | 10.30 a.m. | Mathon Get Together. Mathon Parish Hall. Until 12.00 noon. |
| Sat | 10 | 4.45 p.m. | Royal British Legion. Six Nations Rugby. England v Wales k/o 4.45 p.m. |
| Sun | 11 | 2.30 p.m. | Valentine's Quiz & Afternoon tea. Cradley Village Hall. In aid of 2024 Summer Fete. |
| Mon | 12 | 12.30 p.m. | NEWSLETTER DEADLINE for copy of event notices and new advertisements (hard copies to postbox on wall of the Village Store, Bosbury Road, Cradley) |
| Tues | 13 | 12.00 p.m. | Cradley WI - Open invitation to Pancake Lunch. Cradley Village Hall. Until 1.30 p.m. £8. |
| Weds | 14 | 2.00 p.m. | Cradley, Mathon, StorrIDGE Art Group meeting. Until 4.00 p.m. |
| Fri | 16 | 10.30 a.m. | Mathon Get Together. Mathon Parish Hall. Until 12.00 noon. |
| Fri | 16 | 12.30 p.m. | NEWSLETTER DEADLINE for articles and diary entries (hard copies to postbox on wall of the Village Store, Bosbury Road, Cradley). |
| Sat | 17 | 8.00 p.m. | Royal British Legion. Comedy Night. |
| Mon | 19 | 11.30 a.m. | Ellie Chowns Ward Surgery, Cradley Village Hall, until 1.00 p.m. |
| Fri | 23 | 10.30 a.m. | Mathon Get Together. Mathon Parish Hall. Until 12.00 noon. |
| Sat | 24 | 4.45 p.m. | Royal British Legion. Six Nations Rugby. England v Scotland k/o 4.45 p.m. |
| Weds | 28 | 2.00 p.m. | Cradley, Mathon, StorrIDGE Art Group meeting. Until 4.00 p.m. |
| Thurs | 29 | 7.30 p.m. | Cradley WI Annual Meeting in Cradley Village Hall. |
| Thurs | 29 | 10.30 a.m. | The Leys Coffee Stop, until noon. |

MARCH

| | | | |
|-------|----|------------|--|
| Fri | 1 | 10.30 a.m. | Mathon Get Together. Mathon Parish Hall. Until 12.00 noon. |
| Sun | 3 | 3.00 p.m. | St Davids Day Concert. Cradley Church. |
| Fri | 8 | 10.30 a.m. | Mathon Get Together. Mathon Parish Hall. Until 12.00 noon. |
| Tues | 12 | 12.30 p.m. | NEWSLETTER DEADLINE for copy of event notices and new advertisements (hard copies to postbox on wall of the Village Store, Bosbury Road, Cradley) |
| Weds | 13 | 2.00 p.m. | Cradley, Mathon, StorrIDGE Art Group meeting. Until 4.00 p.m. |
| Fri | 15 | 10.30 a.m. | Mathon Get Together. Mathon Parish Hall. Until 12.00 noon. |
| Sat | 16 | 12.30 p.m. | NEWSLETTER DEADLINE for articles and diary entries (hard copies to postbox on wall of the Village Store, Bosbury Road, Cradley). |
| Mon | 18 | 11.30 a.m. | Ellie Chowns Ward Surgery, Cradley Village Hall, until 1.00 p.m. |
| Weds | 20 | 10.00 p.m. | CMS ART group Acrylic Workshop. StorrIDGE Village Hall. Until 3 p.m. |
| Fri | 22 | 10.30 a.m. | Mathon Get Together. Mathon Parish Hall. Until 12.00 noon. |
| Weds | 27 | 2.00 p.m. | Cradley, Mathon, StorrIDGE Art Group meeting. Until 4.00 p.m. |
| Thurs | 28 | 10.30 a.m. | The Leys Coffee Stop, until noon. |
| Fri | 29 | 10.30 a.m. | Mathon Get Together. Mathon Parish Hall. Until 12.00 noon. |
| Fri | 29 | 7.30 p.m. | Christians Together in Cradley. Film "The Case for Christ". Royal British Legion Club. |

Please keep your articles, event notices, diary dates and reports coming in. Please, whenever possible, email your contributions to the editorial team at: editors@cmsnewsletter.org.uk.

Please send all advertising bookings and enquiries to the advertising team at: adverts@cmsnewsletter.org.uk

Documents emailed to the team should be in Word or JPEG format. Hard copies can be left in the *Newsletter's* mailbox fixed to the wall of the old village shop in Bosbury Road, Cradley. Every effort is made to verify the authenticity of statements made in the *Newsletter*, but neither the Editor nor anyone connected with its production and distribution can accept any responsibility for errors or inaccuracies, or for the opinions expressed within it. Neither do they guarantee or endorse the services and products advertised.

The *Cradley, Mathon & StorrIDGE Newsletter* uses personal data for the purpose of managing the *Newsletter*, its subscriptions, distribution and advertising, the contributions submitted and its finances. Data may be retained for up to 7 years for accounts and tax purposes and for longer where required by law. If you would like to find out more about how we use your personal data or want to see a copy of the information about you that we hold please contact the Newsletter team on editors@cmsnewsletter.org.uk

Editorial Team: Robert Colledge, Antonia Musgrove, Ian Thompson.
The editor of the March issue will be Antonia Musgrove.
Compilation Team: Pauline Diplock, Patrick Fleming, Jackie White.

HOLLOWAYS



FRESH NEW SPRING MENUS

HEALTHY BREAKFASTS · LIGHT LUNCHES
RELAXED AFTERNOON TEAS

On-Site Parking · Comfy Sofas · Log Burner · Great Views

BOOK ONLINE OR CALL 01886 884665

NEW SEASON LIVING & DINING FURNITURE

Accessories · Lighting · Rugs · Interior Design Advice
plus Garden Antiques & Pots & Planters

★ FREE LOCAL DELIVERY ★



www.holloways.co.uk



Open Monday-Saturday 9am-5pm · Lower Court, Suckley, WR6 5DE



'don't get stung'

FIXED PRICE WASP NEST TREATMENT

TEL: 07968 982111

D & G DRAINAGE

All aspects of drainage installations and repairs

- ◆ Sewage Treatment Plants ◆ Septic Tanks
- ◆ Foul & Storm Drainage ◆ All Groundworks Undertaken
- ◆ Foundations ◆ Digger & Driver Hire
- ◆ CCTV Camera Inspections

Contact Daniel Lowndes for free quotation!

Tel: 01684 561338; or Mobile: 07875 394571

E-mail: dan@dgdrainage.com

Find us on Facebook

HUNABAN HEATING LTD



Heating Engineers



Worcester Bosch Accredited Installers

Oil, Gas and LPG boilers installed,
serviced & repaired.

Aga and Rayburn cookers serviced & repaired.

Landlord Gas Safety Inspections completed

Heating systems upgraded.

**The Uplands, Westfields, Cradley,
Nr Malvern, Worcs. WR13 5HZ**
Tel 01886 880260/07771 998238
hunabanheating@btinternet.com



Hillview Soft Furnishings

Made to measure curtains & blinds
handmade in Cradley. Large fabric
library & fitting service

ellen@hillviewsoftfurnishings.co.uk

ring Ellen: 07769 676831



The Village Store

Your local convenience store

- Fresh Fruit & Veg
- Wallers Meat
- Peter Cooks Bread
- Cakes & Pastries
- Frozen Foods
- Alcohol
- Tobacco & Everyday Essentials

● Our Sunday hours will be changing to 9am till 3pm starting from October.

● We will be taking our Christmas turkey orders from the 1st of November please come into store to place your order.

BUSINESS HOURS
8AM - 7PM MONDAY TO SATURDAY
9AM - 3PM SUNDAY

For updates, follow our official Facebook page: [cradlevillagestore](https://www.facebook.com/cradlevillagestore)

BOSBURY ROAD, CRADLEY, WR13 5LT
01886 880221

HADLEY & SONS, RUNDLEMEAD, MATHON

Tel: 01886 880524, or Mobile: 07969 064304



- * Forestry and fencing contractors
- * Haulage and mechanical excavation
- * Round timber purchased
- * **Timber cut to size**
- * Tree advisory service
- * Tree surgery specialists

* **Firewood logs for sale**



WS5274/00001

* **Saw mills**

Acer Tree Services (Hereford) Ltd

Free no obligation quotes for all of your
Tree work requirements



Tel: 01432 860839
Mob: 07774 134577

Joe.brandt@btconnect.com

24hr Emergency call out service

Fully Insured, Qualified and Audited
regularly

Experienced – Knowledgeable – Professional

www.acertreeservices.com



- Plumbing
- Bathrooms
- Kitchens
- Tiling
- Maintenance
- General Building Work

Friendly, Honest and Reliable
Service.

Call Tim Diplock on
07930 500955

timdiplock@gmail.com

Three Counties Chimney Sweep



- *All Chimneys and Flues Swept
- *Cowl and Pot Fitting Service
- *Stove and Liner Installations
- *Nest and Blockage Removal
- *Fully Insured

Call Ian on:
Tel: 01684 891005
Mob: 07403 277 436



Your Local
Accredited
Chimney
Sweep



LUXURY VILLA TO RENT

In DALYAN, one of the most beautiful
places in Turkey

Sleeps 8

Four double ensuite bedrooms with balconies
Large private pool



www.ourvillainturkey.co.uk

Pauline Diplock
01886 880078